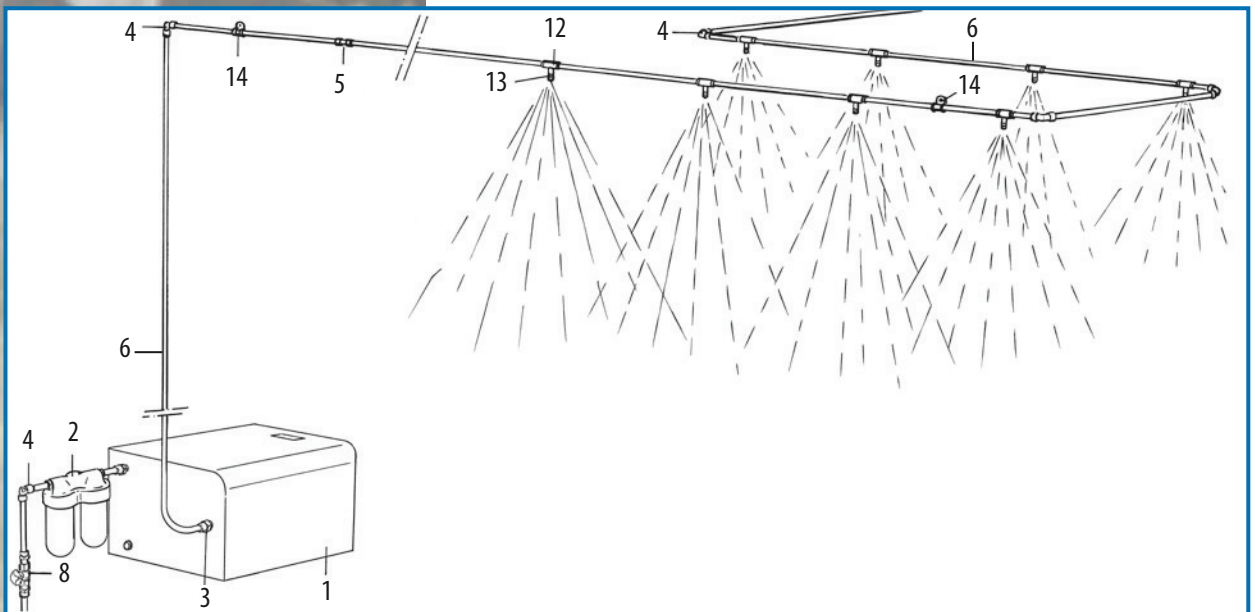
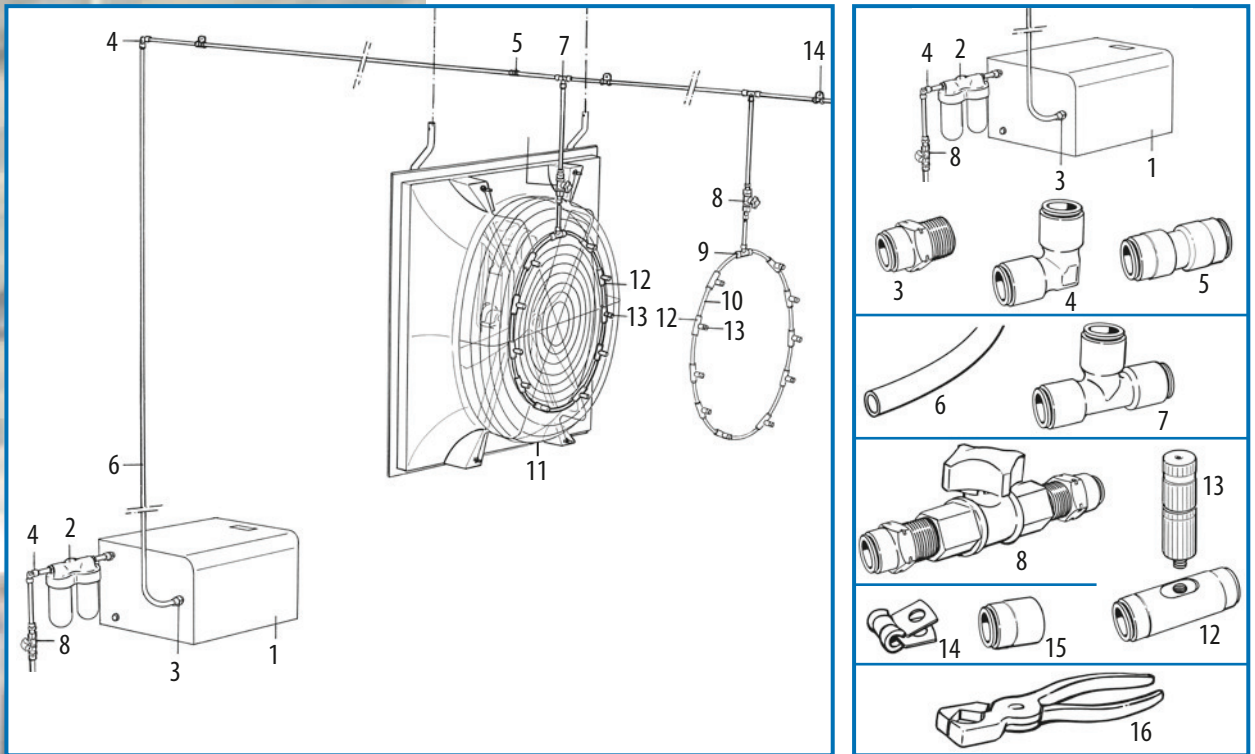


Fogging System



1. Fog Module (HP pump) 70 bar
2. Inlet water filter kit w. pressure stabilizer
3. Connection kit Fog module/Polyamide pipe (9,6 or 12,7 mm)
4. Elbow pipe connection quick fitting (9,6 or 12,7 mm)
5. Straight pipe connection quick fitting (9,6 or 12,7 mm)
6. Polyamide pipe (9,6 or 12,7 mm)
7. T-pipe connection quick fitting (3x9,6 mm or 9,6x12,7x9,6 mm)
8. Ball valve quick fitting (9,6 or 12,7 mm)
9. T-pipe connection 3x9,6 mm quick fitting
10. Polyamide ring with 6,8 or 10 nozzles
11. Protection Grille Abbifan 140-X
12. Nozzle holder quick fitting one hole (9,6 or 12,7 mm)
13. Nozzle, several capacities
14. Rubberized stainless steel clamp (9,6 or 12,7 mm)
15. End of line cap quick fitting (9,6 or 12,7 mm)
16. Tube cutter for polyamide pipe