



**New**

Discover page 24  
our "CABON system"  
to automatically open and close  
self-locking yokes.



# The experience of a manufacturer

Nr.1 for Innovation

**YouTube**

See our videos  
on our channel:  
COSNET S.A.S.



**SAS COSNET**

72550 COULANS-SUR-GÉE

Tel 0033 2 43 88 95 78 • Fax 0033 2 43 88 97 31

www.cosnet-la-gee.co.uk • www.lagee.com

bovi3d.com

Design your  
installation yourself  
using our software





## Pasture equipment

|   |             |
|---|-------------|
| COSNET wide painted troughs.....                    | p 3         |
| Galvanised troughs for small animals .....          | p.3         |
| COSNET reinforced painted troughs.....              | p 4         |
| Standard painted and galvanised troughs .....       | p 5         |
| Single pasture hay racks.....                       | p 6 and 7   |
| Double pasture hay racks.....                       | p 8         |
| Circular and double circular pasture hay racks..... | p 9         |
| Barrier-mounted stall hay racks .....               | p.9         |
| Single-block and évolutif calf feeders .....        | P.10 and 11 |
| Barrier-mounted calf feeders .....                  | p.11        |
| Ø 42 mm barriers and panels.....                    | p 12        |
| Ø 42/35 mm field gates.....                         | P.13        |
| Ø 35 mm service gates.....                          | p 13        |



## Tubular equipment for calves

|   |            |
|---|------------|
| "Hygiène plus" calf pens.....                           | p.14 to 16 |
| Metal calf pens .....                                   | P.17       |
| "Junior comfort SR" calf yokes.....                     | P.18       |
| Oblique barriers and barred partitions for calves ..... | p.19       |
| Accessories for collective calf pens.....               | p.20       |



## Tubular equipment for large cattle

|  |             |
|--|-------------|
| "Comfort SRS" double panel yoke .....                              | p.21        |
| "Comfort SR and SF" yokes.....                                     | p.22 and 23 |
| "CABON" system for automatic opening and closing of yokes.....     | p 24 and 25 |
| "Comfort LR" yoke.....   | p.26        |
| "Comfort SR" yoke kit.....   | p.27        |
| Accessories for "SRS. SR. SF and LR" yokes.....                    | p.27        |
| PRO-swedish yoke.....  | p.28 and 29 |
| Ø 60,3 and 76 mm 2 and 3 rail feed barriers.....                   | p.30        |
| Ø 60.3 mm self service and oblique barriers.....                   | p.31        |
| Posts and tubular accessories .....                                | p.32 and 33 |
| Ø 60.3 mm 4 and 5 rail back panels.....                            | p 34        |
| Ø 60.3 mm back panels and Ø 48.3 3 rail front panels.....          | p 34        |
| Ø 48.3 mm 4 and 5 rail front panels.....                           | p 35 and 36 |
| "Securipass" gate.....   | p.36        |
| Blocking panels and caesarian stall .....                          | p.37        |
| Ø 42.4 mm extendible gate .....                                    | p 37        |
| Ø 60.3/48.3 mm 4 rail front panel for animal passage.....          | p 38        |
| Non-return gates.....  | p.38        |
| Fold-away barriers for cubicle aisles.....                         | p.39        |
| Cosnet experimental centre and facilities examples .....           | p.40and 41  |
| Monofoot cubicle to embed and plate mounted.....                   | p.42        |
| "Superconfort" cubicle.....  | p.42        |
| "Europe, Continentale and Atlantique" cubicles .....               | p 43        |
| "Pacifique and Bien-être" self-supporting cubicles side rail ..... | p 43        |
| Wither bar for cubicles .....                                      | p 44        |
| Accessories for cubicles .....                                     | p.45 and 46 |
| Cubicle brisket board .....  | p.47        |



## Dealer information

|   |                |
|---|----------------|
| Notes .....                             | p 48,49 and 50 |
| Export Department .....                 | p 51           |
| General sales terms and conditions..... | p.51           |

# WIDE PAINTED COSNET TROUGHS

## GALVANISED SMALL ANIMAL TROUGHS

### PAINTED COSNET CATTLE TROUGHS

WIDTH 1, 1.20 AND 1.50 m.

The wide 1.20 m and 1.50 m models make it possible for farmers to unload using a front loader. Furthermore, these models are fitted with a central cone that improves the silage feed and avoids waste.

| Description       | Volumes in litres | Min. heights in cm | Max. heights in cm | Depth of the container in cm | Code      | Pack | Price ex. VAT |
|-------------------|-------------------|--------------------|--------------------|------------------------------|-----------|------|---------------|
| Trough 1 x 5 m    | 1688              | 64.5               | 78.5               | 40                           | 112 01 38 |      |               |
| Trough 1 x 6 m    | 2025              | 64.5               | 78.5               | 40                           | 112 01 40 |      |               |
| Trough 1.20 x 5 m | 2300              | 70.5               | 84.5               | 44                           | 112 01 50 |      |               |
| Trough 1.20 x 6 m | 2800              | 70.5               | 84.5               | 44                           | 112 01 52 |      |               |
| Trough 1.50 x 5 m | 3160              | 74.0               | 88.0               | 49                           | 112 01 54 |      |               |
| Trough 1.50 x 6 m | 3800              | 74.0               | 88.0               | 49                           | 112 01 56 |      |               |



**Cosnet**  
Leading French  
trough manufacturer



**GLYCEROPHTALIC PAINT**  
applied on corrosion protection  
and interior bituminous coat



Our COSNET multiple width troughs are shipped with a potable water approved bituminous coating inside the container.

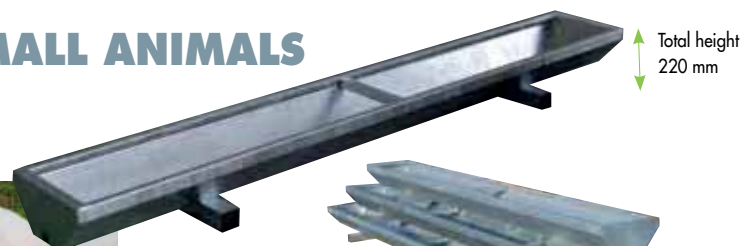
This coating must be renewed periodically to obtain a better service life (depending on the nature of the silage)

| RETAIL PAINT                               | Code      | Price ex. VAT |
|--|-----------|---------------|
| Pot of 1 kg of orange acrylic COSNET paint | 112 19 01 |               |
| Pot of 1 kg of black acrylic COSNET paint  | 112 19 05 |               |
| Pot of 1 kg of bituminous coating paint*   | 112 19 09 |               |
| Pot of 5 kg of bituminous coating paint*   | 112 19 11 |               |

\*This bituminous coating is approved for use with potable water

### GALVANISED TROUGH FOR SMALL ANIMALS

Mechanical welding and hot dip galvanisation make these small troughs very strong. They have 60 mm square welded stands.



Total height  
220 mm

They are multi-purpose and can be used for all types of animal.

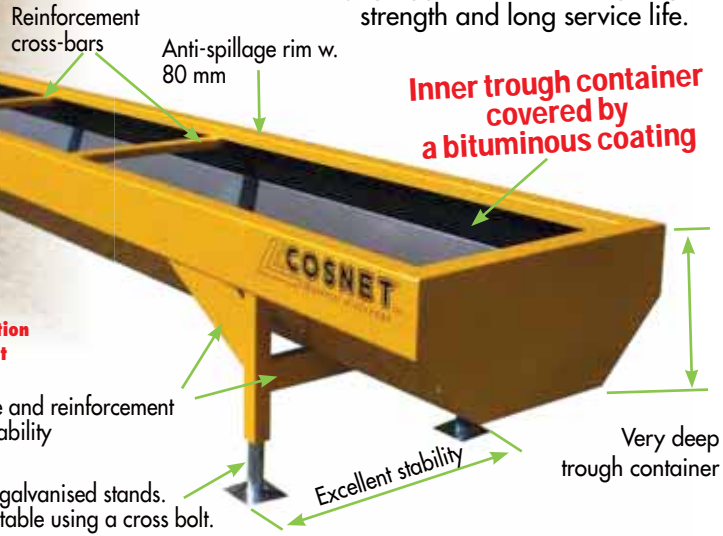
| Description                           | Depth of the container in cm | Code      | Pack | Price ex. VAT |
|---------------------------------------|------------------------------|-----------|------|---------------|
| Dim. : w. 0.33 x L. 2.45 m galvanised | 16                           | 112 01 80 |      |               |
| Dim. : w. 0.33 x L. 3 m galvanised    | 16                           | 112 01 81 |      |               |
| Dim. : w. 0.33 x L. 4 m galvanised    | 16                           | 112 01 82 |      |               |
| Dim. : w. 0.33 x L. 5 m galvanised    | 16                           | 112 01 83 |      |               |

# COSNET PAINTED REINFORCED TROUGHS

## REINFORCED COSNET TROUGHS FOR CATTLE - WIDTH 0.80 AND 0.60 m.



An extensive line highly appreciated for its quality, strength and long service life.



**GLYCEROPHTALIC PAINT** applied on corrosion protection and interior bituminous coat

### OUR ADVICE

- width 0.60 m: for young animals, heifers, grassers, etc,
- width 0.80 / 1 m: for adult animal feeder stations, suckling or dairy cows and bull calves
- width 1.20 / 1.50 m: for feed distribution on both sides.

### MAIN CHARACTERISTICS

#### HYGIENE

- outer protection using industrial lacquer and inner protection using bituminous Blackston that is especially resistant to the acidity of silage (coating to be renewed every 2 years)
- 80 mm anti-spillage rim
- drainage of effluent through a large diameter 45 mm screw cap
- possibility of manufacturing 0.60 m and 0.80 m widths in a version suspended by 2 flanges to make it easier to clear away manure from under the front of the troughs.

#### RIGIDITY

- manufactured using 2 mm folded, single length steel sheet metal
- 2 intermediate cross pieces for lengths in excess of 4 m
- grooved corners making it possible to stack the ends using a weld for greater solidity and seal tightness
- wide versions (1.20 m and 1.50 m) with a central cone used to reinforce the bottom and separate the silage.



### Galvanised stands

#### STABILITY

- galvanised stands adjustable in height by 7 cm steps using a cross bolt (possibility of sloping the trough to limit waste)
- base identical to the trough width with a reinforcement cross piece and triangular frame matching the shape of the trough.

| Reinforced cosnet troughs | Volumes in litres | Max. heights in cm | Max. heights in cm | Depth of the container in cm | Code      | Pack | Price ex. VAT |
|---------------------------|-------------------|--------------------|--------------------|------------------------------|-----------|------|---------------|
| Trough 0.60 x 3 m         | 480               | 55.5               | 69.5               | 30                           | 112 01 04 |      |               |
| Trough 0.60 x 4 m         | 640               | 55.5               | 69.5               | 30                           | 112 01 08 |      |               |
| Trough 0.60 x 4.5 m       | 720               | 55.5               | 69.5               | 30                           | 112 01 10 |      |               |
| Trough 0.60 x 5 m         | 800               | 55.5               | 69.5               | 30                           | 112 01 12 |      |               |
| Trough 0.60 x 6 m         | 960               | 55.5               | 69.5               | 30                           | 112 01 14 |      |               |
| Trough 0.80 x 3 m         | 798               | 67.0               | 81.0               | 38                           | 112 01 18 |      |               |
| Trough 0.80 x 4 m         | 1064              | 67.0               | 81.0               | 38                           | 112 01 22 |      |               |
| Trough 0.80 x 4.5 m       | 1197              | 67.0               | 81.0               | 38                           | 112 01 24 |      |               |
| Trough 0.80 x 5 m         | 1335              | 67.0               | 81.0               | 38                           | 112 01 26 |      |               |
| Trough 0.80 x 6 m         | 1595              | 67.0               | 81.0               | 38                           | 112 01 28 |      |               |



Improve the hygiene and service life of metal troughs

### FEED TRAY



Manufactured from polyethylene resin which is especially resistant to acids, it optimises the service life of metal troughs. Once installed in the trough, the drainage cap must be removed to allow the internal ventilation of the sides (see your La Gée sales terms and conditions).

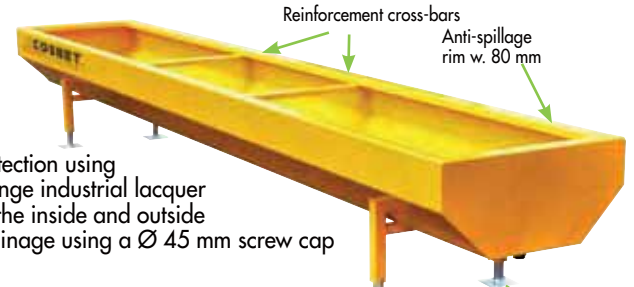
| Description                           | Code       | Pack | Price ex. VAT |
|---------------------------------------|------------|------|---------------|
| 5 x 0.80 m feed tray for metal trough | P113 41 15 |      |               |

# STANDARD PAINTED AND GALVANISED TROUGHS



## STANDARD PAINTED TROUGHS FOR CATTLE - WIDTH 0.80 AND 0.60 m.

- Trough stand without a reinforcement frame welded under the trough.



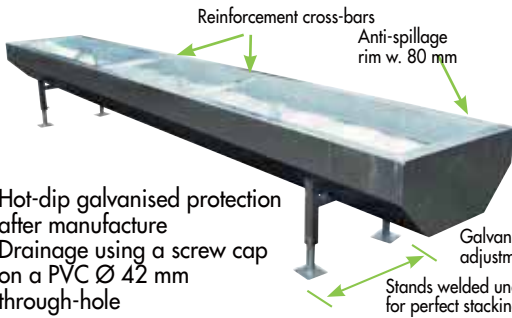
- Protection using orange industrial lacquer on the inside and outside
- Drainage using a Ø 45 mm screw cap

Ø 42,4 mm galvanised stands. Height adjustable using a cross bolt. Welded stands under the trough tray for perfect stacking.

**Galvanised stands**

## GALVANISED STANDARD TROUGHS FOR CATTLE - WIDTH 0.80 AND 0.60 m.

- Trough stand without a reinforcement frame welded under the trough.



- Hot-dip galvanised protection after manufacture
- Drainage using a screw cap on a PVC Ø 42 mm through-hole

Galvanised stands with height adjustment using a cross bolt. Stands welded under the trough tray for perfect stacking.

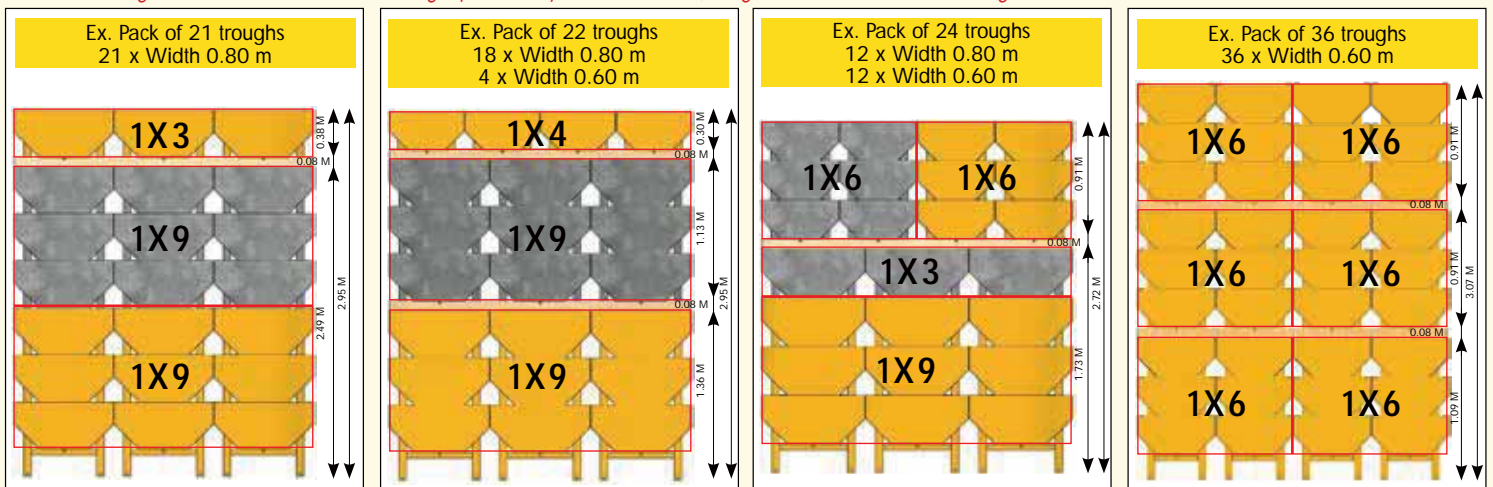
| Standard painted and galvanised troughs | Volumes in litres | Max. heights in cm | Max. heights in cm | Depth of the container in cm | Code      | Pack | Price ex. VAT |
|---|-------------------|--------------------|--------------------|------------------------------|-----------|------|---------------|
| <b>STANDARD PAINTED TROUGHS</b>         |                   |                    |                    |                              |           |      |               |
| P. Trough 0.60 x 3 m                    | 480               | 58.5               | 72.5               | 30                           | 112 02 35 |      |               |
| P. Trough 0.60 x 4 m                    | 640               | 58.5               | 72.5               | 30                           | 112 02 37 |      |               |
| P. Trough 0.60 x 5 m                    | 800               | 58.5               | 72.5               | 30                           | 112 02 39 |      |               |
| P. Trough 0.60 x 6 m                    | 960               | 58.5               | 72.5               | 30                           | 112 02 40 |      |               |
| P. Trough 0.80 x 3 m                    | 798               | 65.0               | 79.0               | 38                           | 112 02 41 |      |               |
| P. Trough 0.80 x 4 m                    | 1064              | 65.0               | 79.0               | 38                           | 112 02 43 |      |               |
| P. Trough 0.80 x 5 m                    | 1335              | 65.0               | 79.0               | 38                           | 112 02 45 |      |               |
| P. Trough 0.80 x 6 m                    | 1595              | 65.0               | 79.0               | 38                           | 112 02 47 |      |               |
| <b>STANDARD GALVANISED TROUGHS</b>      |                   |                    |                    |                              |           |      |               |
| G. Trough 0.60 x 3 m                    | 480               | 58.5               | 72.5               | 30                           | 112 01 58 |      |               |
| G. Trough 0.60 x 4 m                    | 640               | 58.5               | 72.5               | 30                           | 112 01 62 |      |               |
| G. Trough 0.60 x 5 m                    | 800               | 58.5               | 72.5               | 30                           | 112 01 66 |      |               |
| G. Trough 0.60 x 6 m                    | 960               | 58.5               | 72.5               | 30                           | 112 01 71 |      |               |
| G. Trough 0.80 x 3 m                    | 798               | 65.0               | 79.0               | 38                           | 112 01 60 |      |               |
| G. Trough 0.80 x 4 m                    | 1064              | 65.0               | 79.0               | 38                           | 112 01 64 |      |               |
| G. Trough 0.80 x 5 m                    | 1335              | 65.0               | 79.0               | 38                           | 112 01 68 |      |               |
| G. Trough 0.80 x 6 m                    | 1595              | 65.0               | 79.0               | 38                           | 112 01 70 |      |               |

## PACKING AND LOADING

For reinforced Cosnet or standard troughs, width 0.60 and 0.80 m.

To optimise loads and improve delivery quality, your trough packs must be composed using one of the methods proposed below. The packs can be composed of a mixture of packs of standard painted troughs and standard galvanised troughs. Cosnet reinforced troughs cannot be loaded into the same pack as standard troughs.

Note: for loading on a truck bed. max available height 3.10 m. (total authorised height 4.50 m.). Possible load length 13.60 m + tolerated overhang of 0.60 m.  
 Note: for loading on a tautliner. max. available height (under rails): classic = 2.5 m / mega = 2.85 m. Possible load length 13.50 m



\* Diagrams shown using standard troughs. Note that reinforced Cosnet troughs are delivered stacked tete-beche because their stands are the same width as their trays.



# SINGLE HAY RACKS

## "SINGLE" PASTURE HAY RACKS

Suitable for all forms of feed.



### RTT Drop panel hay rack

- anti spillage design
- to distribute round bales to dehorned herds
- wither bar to prevent the animals from accessing the inside of the hay racks
- bar assembly  
Ø 25 mm mechanically welded after fitting in the lower and upper tubes for more strength.
- roof plate length 2 m



### RTC 2 Hay rack with "comfort SR" yoke panels 12 spaces

- yoke panels using the "comfort SR" stall yoke panel technology.
- for dehorned cattle.
- anti strangulation device
- roof plate length 2.25 m



RTC



New

Equipped with the new quick opening polymer stoppers and its new automatic handle.



System

### BOTTOM REINFORCEMENT OPTION

New



2 reinforcement bars Ø 60.3 mm, th. 3.2 mm are fitted in the trough bottom grooves during assembly of the 2 x 2 m hay racks. They are supported by their front and back tips.

112 11 46

### PATENTED "elastic spring"

### RTE Hay rack with "horse" panels

- Straight reinforced panels assembled in a frame with several head passages.
- It has 20 head passages and corresponds to feed distribution for about ten horses.
- roof plate length 2.25 m



RTE model shown with hitch protection option and special equine roof.

| Description                         | Length | Width  | Code      | Pack | Weight kg | Price ex. VAT |
|-------------------------------------|--------|--------|-----------|------|-----------|---------------|
| RTT                                 | 2 m    | 1.80 m | 112 11 01 |      | 300       |               |
| RTF 12 spaces                       | 2 m    | 2 m    | 112 11 03 |      | 344       |               |
| RTLS 12 spaces                      | 2 m    | 2 m    | 112 11 04 |      | 353       |               |
| RTC 2 "comfort SR" 12 spaces        | 2 m    | 2 m    | 112 11 06 |      | 470       |               |
| RTO 12 spaces                       | 2 m    | 2 m    | 112 11 21 |      | 340       |               |
| RTE with straight panels            | 2 m    | 2 m    | 112 11 23 |      | 350       |               |
| 3 space yoke panel for RTC 2        | 1.83 m |        | 115 05 43 |      | 58        |               |
| 3 space tombstone panel for RTF     | 1.83 m |        | 115 05 47 |      | 32        |               |
| 3 space oblique panel for RTO       | 1.83 m |        | 115 05 53 |      | 32        |               |
| 3 space self-service panel for RTLS | 1.83 m |        | 115 05 48 |      | 35        |               |

| ACCESSORIES  |  |  | Pack | Weight kg | Price ex. VAT |
|--|--|--|------|-----------|---------------|
| Hitch protection kit                                   |  |  |      | 3         |               |
| RTF- RTF- RTC2 - RTO - RTLS - RTE - RDTF II - RDTLS II |  |  |      |           |               |
| RTT roof protection kit                                |  |  |      | 25        |               |
| RTLS - RTF - RTO - RTC 2 - RTE roof protection kit     |  |  |      | 28        |               |
| 2x2 m Hay rack bottom reinforcement for heavy feed     |  |  |      |           |               |
| 2 Ø 60.3 mm tubes, thickness 3.2 mm, l. 1.89 m         |  |  |      | 9.2       |               |



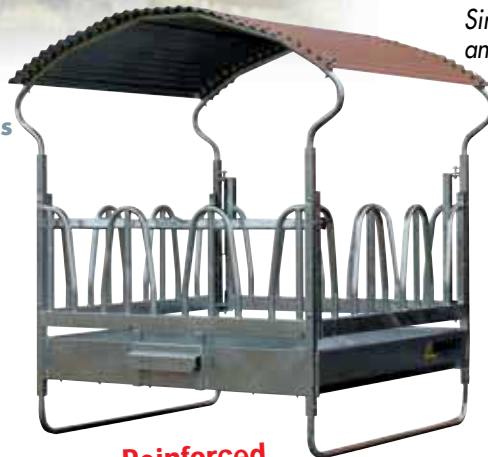
## COMMON FEATURES

- Hot-dip galvanised after assembly.
- Bottom plates strengthened using 2 cones used to centre round bales. End panels with several holes to drain moisture.
- "Optimum" roof with a wide curve to improve the passage of large sized bales and provide a bigger covered surface area to protect from bad weather.
- Height adjustable roof and stands using passage bolts.
- Easy transport using a fold-away hitch (except RTT, U bar containing the 5 bars).
- Single-part hitch panel to save time assembling and increase strength.



### RTF Hay rack with tombstone panels 12 spaces

- the tombstone side panels are assembled directly onto the hay rack posts for improved strength and less assembly time
- full clearance tombstone panels on a wide cross section girder
- for dehorned or horned herds.
- roof plate length 2.25 m

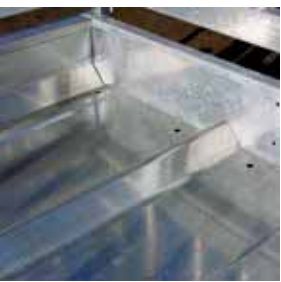


Reinforced tombstone panels



### RTL Hay rack with self-service panels 12 spaces

- the self-service side panels are assembled directly onto the hay rack posts for improved strength and less assembly time
- reinforced self-service panels connected to an upper bar.
- for dehorned or horned herds.
- roof plate length 2.25 m



### RTO Hay rack with oblique panels 12 spaces

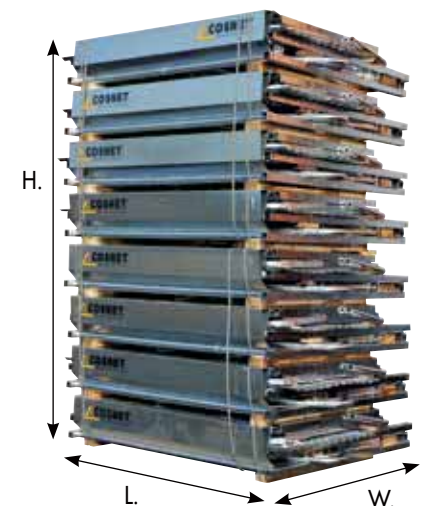
- reinforced oblique panels assembled in a frame
- for dehorned or horned herds.
- roof plate length 2.25 m



### Size to plan for loading

| Model    | L X W in m. | H. in m. stack of 4 | H. in m. stack of 6 | H. in m. stack of 7 | H. in m. stack of 8 |
|----------|-------------|---------------------|---------------------|---------------------|---------------------|
| RTT      | 2.20 x 2.05 | 1.65                | 2.30                | 2.65                | 3.00                |
| RTF      | 2.25 x 1.60 | 1.40                | 2.10                | 2.45                | 2.80                |
| RTL      | 2.25 x 1.65 | 1.55                | 2.30                | 2.70                | 3.05                |
| RTC2     | 2.25 x 1.60 | 1.80                | 2.70                | 3.15                | 3.60                |
| RTO      | 2.25 x 1.60 | 1.70                | 2.55                | 2.95                | 3.40                |
| RTE      | 2.25 x 1.75 | 1.45                | 2.20                | 2.55                | 2.90                |
| RDTF     | 3.10 x 1.60 | 1.95                | 2.95                | 3.45                | 3.95                |
| RDTLS    | 3.10 x 1.60 | 2.10                | 3.15                | 3.65                | 4.20                |
| RDTCL II | 3.10 x 1.60 | 1.95                | 2.90                | 3.40                | 3.85                |

- N.B.:
- for loading on a truck bed. max available height 3.10 m, (total authorised height 4.50 m.).
  - for loading on a tautliner
    - standard, max. available height 2.50 m.
    - mega, max. available height 2.85 m.



# DOUBLE HAY RACKS

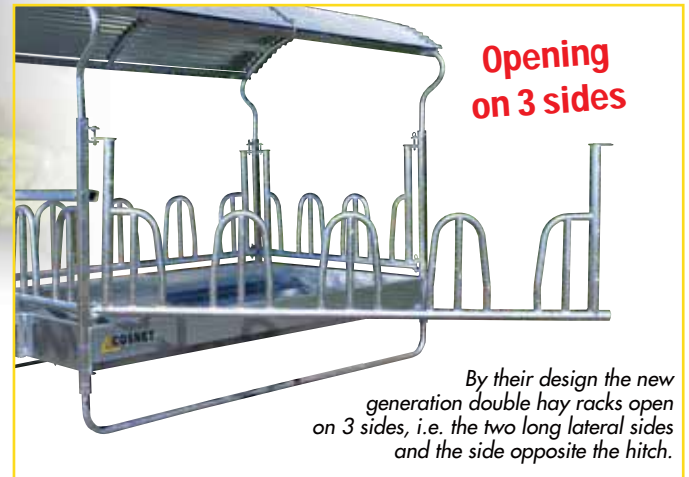
**New 3 m. reinforced line**

## "DOUBLE" PASTURE HAY RACKS

Ideal for the distribution of bulky feed, such as rectangular bales or 2 round bales. Bottom and roof reinforcements delivered as standard.



**"Optimum" roof  
Length 3.10 m**



**Opening  
on 3 sides**

*By their design the new generation double hay racks open on 3 sides, i.e. the two long lateral sides and the side opposite the hitch.*



**RDTF II  
Double hay rack with  
tombstone panels  
14 spaces**

- for dehorned or horned herds.
- total tombstone clearance in the top part

**Reinforced tombstone**



**RDTLS II  
RTLS Hay rack  
with self-service  
panels  
14 spaces**

- for dehorned or horned herds.
- reinforced self-service connected to an upper bar

**RDTC II  
Hay rack with  
"comfort SR" yoke  
panels  
14 spaces**

- for dehorned cattle.
- yoke panels using the "comfort SR" stall yoke panel technology.
- anti strangulation device



**System  
PATENTED "elastic spring"**

## NEW DOUBLE HAY RACKS 3 M REINFORCED



Of a total length of 3 m, these new double hay racks are fitted as a standard with 2 Ø 60.3 mm bottom reinforcement bars of a thickness of 3.2 mm

*Their design which includes 4 main uprights of a thickness of 3 mm makes them very strong.*

| Description                             | Length * | Width * | Code      | Pack ** | Weight kg | Price ex. VAT |
|---|----------|---------|-----------|---------|-----------|---------------|
| RDTF II 14 spaces                       | 3 m      | 2 m     | 112 10 01 |         | 467       |               |
| RDTLS II 14 spaces                      | 3 m      | 2 m     | 112 10 03 |         | 490       |               |
| RDTC II "comfort SR" 14 spaces          | 3 m      | 2 m     | 112 10 05 |         | 630       |               |
| 4 space yoke panel for RDTC II          | 2.84 m   |         | 115 05 42 |         | 88.5      |               |
| 4 space tombstone panel for RDTF II     | 2.84 m   |         | 115 05 46 |         | 46.5      |               |
| 4 space self service panel for RDTLS II | 2.84 m   |         | 115 05 52 |         | 44        |               |

\*Total size without the roofing and the tow bar plates.

| ACCESSORIES                                 | Code      | Pack | Weight kg | Price ex. VAT |
|---|-----------|------|-----------|---------------|
| Hitch protection kit                        |           |      |           |               |
| RTT- RTF- RTC2 - RTO - RTLS - RTE - RDTC II | 112 11 35 |      | 2.2       |               |
| RDTC II - RDTLS II                          |           |      |           |               |
| RDTF - RDTC 2 roof protection kit           | 112 11 45 |      | 30        |               |

**RDTC II**



**New**

Equipped with the new quick opening polymer stoppers and its new automatic handle

**All our hay racks are  
packaged in stacks  
with individual  
sub-packaging**

# HAY RACKS

## RC - RDC and FENCE MOUNTED



### CIRCULAR AND DOUBLE CIRCULAR PASTURE HAY RACKS

Simple and good value for money.

#### COMMON FEATURES

- hot-dip galvanised after assembly
- reinforced tombstones crossing the frame down to the ground
- Ø 48.3 mm tube reinforcement
- filling from the top or by opening one of the panels.

### RC CIRCULAR HAY RACK Ø 2.30 M



Reinforced tombstone panels

12 spaces

Fixed 3-point hitch made from very thick laser cut sheet metal



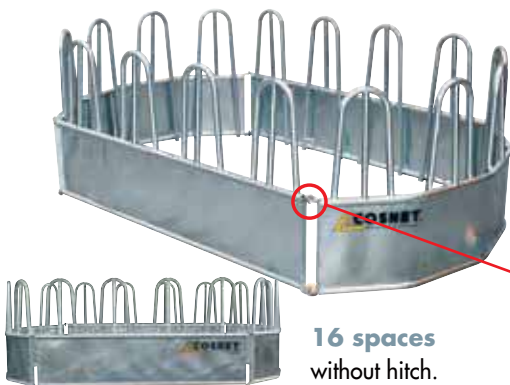
Hitch protection option Ref. 112 11 37



Options:

- adjustable and sloping roof.
- hitch protection

### RDC DOUBLE CIRCULAR HAY RACK



Reinforced tombstones

16 spaces without hitch.

| Description  | Length   | Width  | Code      | Pack | Weight kg | Price ex. VAT |
|--|----------|--------|-----------|------|-----------|---------------|
| RC 12 spaces   | Ø 2.30 m |        | 112 11 11 |      | 192       |               |
| RDC 16 spaces  | 3.55 m   | 2.05 m | 112 11 12 |      | 246       |               |
| Straight 3 space tombstone panel only for RDC hay rack | 2.37 m   |        | 115 05 51 |      | 48        |               |
| ACCESSORIES  |          |        |           |      |           |               |
| RC Hitch protection kit                                |          |        | 112 11 37 |      | 2         |               |
| Adjustable and tippable roof for RC                    |          |        | 112 11 13 |      | 113       |               |

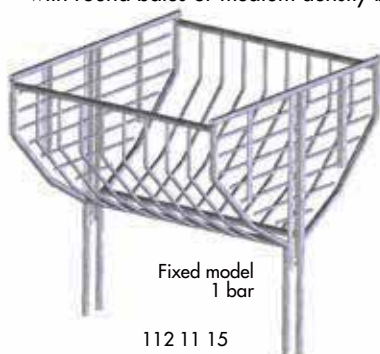
**New**

Standard delivery with 8 corner fasteners. Fixed to the bolt work, they are used in certain situations to prevent the hay rack from folding back onto itself.



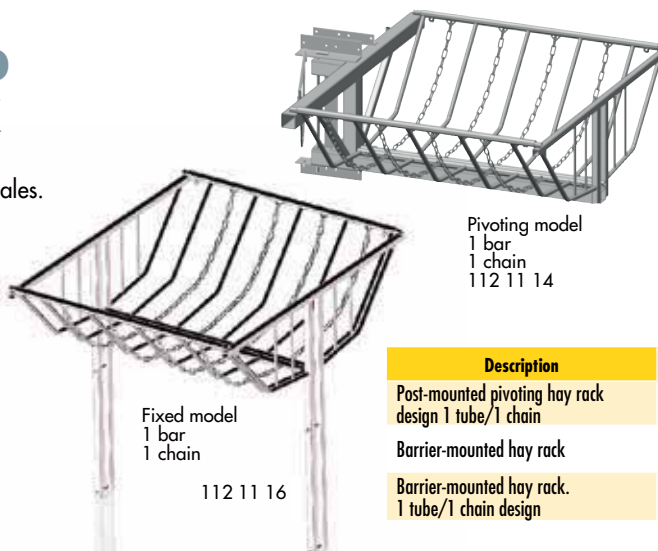
### FENCE-MOUNTED STALL HAY RACK

To feed 2 pens in cattle buildings with round bales or medium density bales.



Fixed model  
1 bar

112 11 15



Pivoting model  
1 bar  
1 chain  
112 11 14

Fixed model  
1 bar  
1 chain

112 11 16

#### CHARACTERISTICS

- hot-dip galvanised after assembly
- designed for 4 or 5 rail barriers Ø 60.3 mm

Three models:

- fixed with bars
- fixed with bar and chain
- pivoting with bar and chain

| Description  | Length | Width  | Height: | Code      | Pack | Weight kg | Price ex. VAT |
|--|--------|--------|---------|-----------|------|-----------|---------------|
| Post-mounted pivoting hay rack design 1 tube/1 chain | 1.83 m | 1.92 m | 0.640 m | 112 11 14 |      | 81        |               |
| Barrier-mounted hay rack                             | 1.53 m | 1.69 m | 1.63 m  | 112 11 15 |      | 92        |               |
| Barrier-mounted hay rack. 1 tube/1 chain design      | 1.58 m | 1.92 m | 1.74 m  | 112 11 16 |      | 125       |               |



## “ÉVOLUTIF” FEEDER

**750 LITRES TO 1450 LITRES**  
**BY ADDING 1 TO 2 350 LITRES PLUS**  
**EXTENSIONS**



**Length 2 m**  
**Easier road**  
**transport**

## “EVOLUTIF” FEEDER

- galvanised kit form unit, quick bolted assembly
- hopper with 60.3 mm diameter tube stand making the unit perfectly stable
- feed rate controlled by a sliding flap that can be locked in 3 locations with the possibility of fully closing it
- 3 point hitch for transport to pasture when empty

### 750 LITRE VERSION



Large cattle model without pen évolutif 750

Tipping roof with locking system secured in the closed position.



3-point hitch reinforced by a very thick bolted plate



### 1100 LITRE VERSION WITH AN EXTENSION FOR 350 MORE LITRES

“évolutif 750” model with 350 litres plus extension and tipping pen

- tipping pen with 3 selective width adjustable entrances
- 5 rail diameter 42.2 mm side barriers, with skids for transport on pasture when empty, allowing the rigid fixture of the front selective barrier.

| Description                                | Length | Width  | Height | Capacity | Code      | Pack | Weight kg | Price ex. VAT |
|--|--------|--------|--------|----------|-----------|------|-----------|---------------|
| Calf feeder évolutif 750                   | 2.00 m | 1.42 m | 1.35 m | 750 l    | 112 05 21 |      | 252       |               |
| Tipping pen for calf feeder évolutif 750   | 2.00 m | 2.10 m | 1.35 m |          | 112 05 23 |      | 92        |               |
| 350 plus extension for évolutif 750 feeder | 1.87 m | 0.76 m | 0.27 m | 350 l    | 112 05 27 |      | 33        |               |

## 750 SINGLE-BLOCK CALF FEEDER



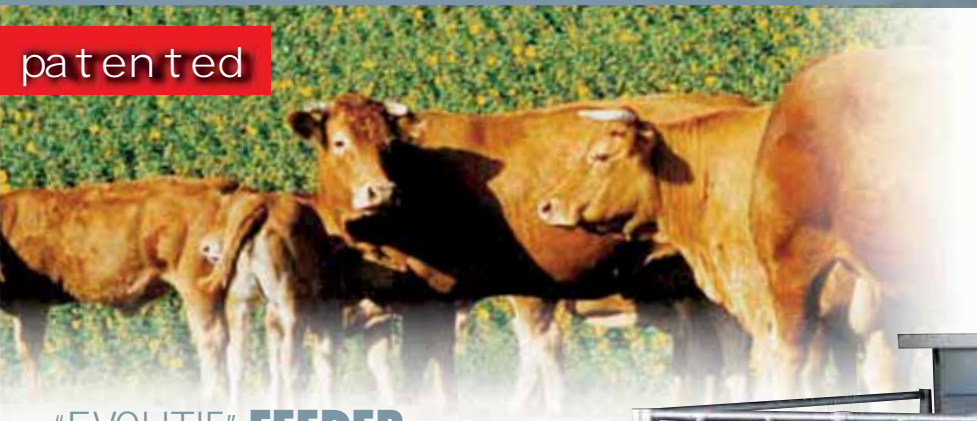
### Single-block tank for time saving assembly

- pen formed using two 5 rail side barriers and one barrier with 3 width adjustable selective entrances. Delivered with 2 alignment plates and 2 anchor posts
- quick and reassuring pen closure by simply folding the barriers back around the feeder
- height adjustment using “skid” type stands making the unit very stable
- feed rate controllable using a sliding flap with the possibility of complete closure
- wide roof overlap on sliders with opening on the side selected for filling.

### 3 selective entrance width adjustable pen

| Description                        | Length | Width  | Height | Capacity | Code      | Pack | Weight kg | Price ex. VAT |
|------------------------------------|--------|--------|--------|----------|-----------|------|-----------|---------------|
| Single block 750 l calf feeder     | 2.00 m | 1.15 m | 1.68 m | 750 l    | 112 05 01 |      | 188       |               |
| Single block 750 l calf feeder pen | 2.00 m | 2.10 m | 1.23 m |          | 112 05 05 |      | 95        |               |





patented

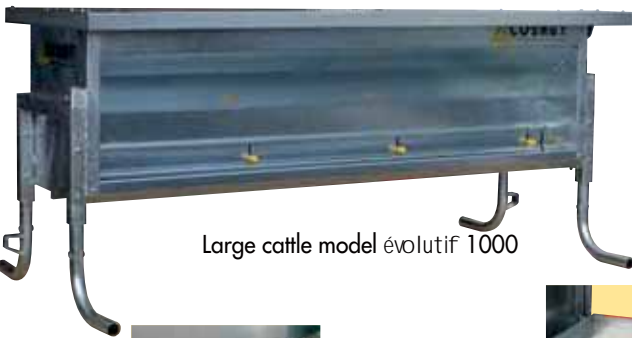
**"ÉVOLUTIF" FEEDER**  
**1000 L TO 2000 L**  
**BY ADDING**  
**1 TO 2**  
 500 litres plus extensions

## "ÉVOLUTIF" FEEDER

- galvanised kit form unit, quick bolted assembly
- hopper with 60.3 mm diameter tube stand making the unit perfectly stable
- feed rate controlled by a sliding flap that can be locked in 4 locations with the possibility of fully closing it
- 3-point hitch for empty transport in meadows (provide compliant regulatory lights and signage to travel on public highways).



### 1000 LITRE VERSION



Large cattle model évolutif 1000



3-point hitch reinforced by a very thick bolted plate



Tipping roof with locking system secured in the closed position.

### 1500 LITRE VERSION WITH AN EXTENSION FOR 500 MORE LITRES

- tipping pen with 5 selective, height adjustable entrances
- 5 rail diameter 42.2 mm side barriers, with skids for transport on pasture when empty, allowing the rigid fixture of the front selective barrier.

Évolutif 1000 model with 500 litres plus extension and tipping pen



| Description                                 | Length | Width  | Height | Capacity | Code      | Pack | Weight kg | Price ex. VAT |
|---|--------|--------|--------|----------|-----------|------|-----------|---------------|
| Calf feeder évolutif 1000                   | 2.95 m | 1.42 m | 1.35 m | 1000 l   | 112 05 07 |      | 310       |               |
| Tipping pen for évolutif 1000 calf feeder   | 2.00 m | 3.10 m | 1.35 m |          | 112 05 09 |      | 111       |               |
| 500 plus extension for évolutif 1000 feeder | 2.80 m | 0.76 m | 0.27 m | 500 l    | 112 05 15 |      | 44        |               |

## 220 L CALF FEEDER BARRIER-MOUNTED

- tank fitted with hooks for hanging on 60.3 mm barriers with 4 or 5 rails
- galvanised kit form unit, quick bolted assembly
- feed rate controllable using a sliding flap with the possibility of complete closure
- tipping roof.

**More capacity with its 220 l.**

**Ideal for feeding young cattle in stalls**

| Description                            | Length | Width  | Height | Capacity | Code      | Pack | Weight kg | Price ex. VAT |
|--|--------|--------|--------|----------|-----------|------|-----------|---------------|
| 220 litres barrier-mounted calf feeder | 1.23 m | 0.55 m | 0.65 m | 200 l    | 112 05 17 |      | 57        |               |



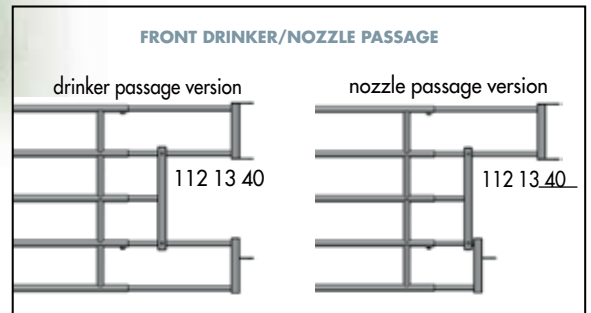
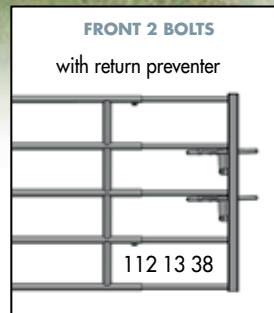
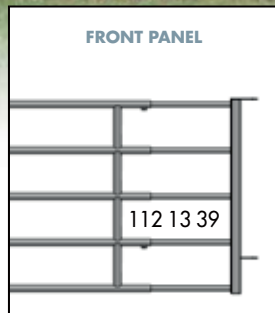


## Ø 42.4 mm EXTENDIBLE BARRIERS AND GATES

- Manufactured with spacers of the same diameter as the rails, giving it a more harmonious look and making it stronger.
- The many installation accessories make it possible to adapt them to all configurations.
- Ordered with their front 1 bolt end, these field barriers are delivered assembled at the front + back.

### OUR FRONT ENDS

In addition to our special 1 bolt field end, 3 other models are available for installation in heifer stalls



### EXTENDIBLE BARRIER WITH 1 LOCK

Fixing plate for the stamped rear part of the barrier

Rails locked in place with nuts threaded in a hasp

Solid and aesthetic finish of our barrier and panel front ends

For increased solidity

Front end Ø25 mm "stamped" bolt, non-return device in the axis of the rails

Assembly of Ø42 mm spacers cut with half-round groove on the barrier rails

### CHARACTERISTICS

- fast attachment and adjustment thanks to the use of plate on the upper section and a threaded rod fixation, inserted into a sheath in the lower section;
- hot-dip galvanized after assembly
- 50 x 50 mm cross-section front and rear upright, thickness 2 mm.

| FRONT AND BACK ENDS<br>5 RAILS Ø 42.4 MM - H. 1.15 M |           | Delivered non-nested |           |               |  |
|--|-----------|----------------------|-----------|---------------|--|
| Description  | Code      | Pack                 | Weight kg | Price ex. VAT |  |
| Back end 0.90/1.20 m                                 | 112 13 17 |                      | 12        |               |  |
| Back end 1.10/2 m                                    | 112 13 18 |                      | 13        |               |  |
| Back end 2/3 m                                       | 112 13 20 |                      | 23        |               |  |
| Back end 3/4 m                                       | 112 13 22 |                      | 34        |               |  |
| Back end 4/5 m                                       | 112 13 24 |                      | 46        |               |  |
| Back end 5/6 m                                       | 112 13 26 |                      | 57        |               |  |
| Back end 6/7 m                                       | 112 13 28 |                      | 70        |               |  |
| Front end 1 bolt Ø 34 mm L. 1560                     | 112 13 37 |                      | 20        |               |  |
| Front end 2 bolts Ø 34 mm L. 1560                    | 112 13 38 |                      | 22        |               |  |
| Front end panel Ø 34 mm L. 1610                      | 112 13 39 |                      | 20        |               |  |
| Front end drinker/nozzle passage Ø 34 mm L. 1610     | 112 13 40 |                      | 21        |               |  |
| Eye rod Ø 22 mm + 2 nuts                             | 112 13 41 |                      | 0.8       |               |  |

Lengths for the front end given from fastening shaft.

**New**

| EXTENDIBLE FIELD BARRIERS<br>5 rails Ø 42.4 mm - H. 1.15 m<br>Barrier made up of 1 back end and 1 front end with 1 lock |           | Delivered nested |           |               |  |
|---|-----------|------------------|-----------|---------------|--|
| Description   | Code      | Pack             | Weight kg | Price ex. VAT |  |
| Field barrier 2/3M with front end 1 bolt  | 112 15 05 |                  | 43        |               |  |
| Field barrier 3/4M with front end 1 bolt  | 112 15 07 |                  | 54        |               |  |
| Field barrier 4/5M with front end 1 bolt  | 112 15 09 |                  | 66        |               |  |
| Field barrier 5/6M with front end 1 bolt  | 112 15 15 |                  | 77        |               |  |
| Field barrier 6/7M with front end 1 bolt  | 112 15 17 |                  | 90        |               |  |

# Ø 42/35 mm FIELD GATES SERVICE GATES

## Ø 42.4/35 MM FIELD GATE

These field gates are designed to optimise value for money. They are manufactured from front and rear uprights with upper and lower Ø 42 mm rails and intermediary Ø 35 mm rails and spacers assembled in half-round grooves.

They are delivered pre-assembled with the front part and its lock inserted in the rear part

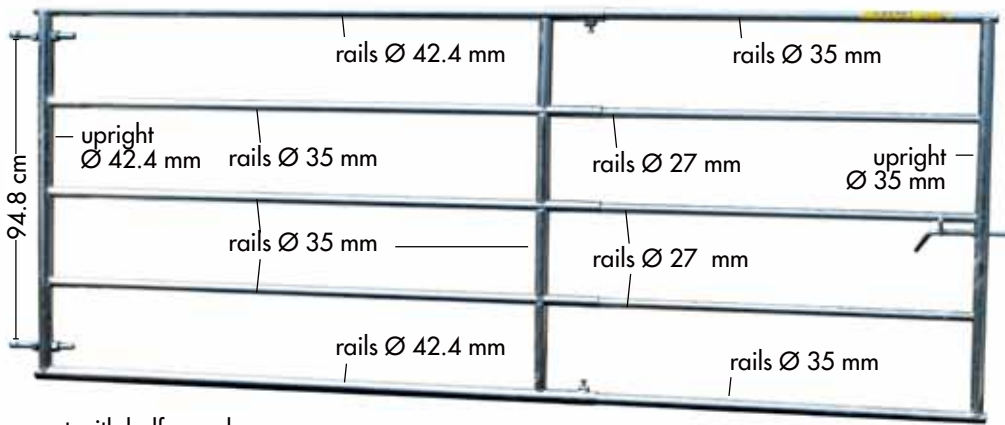
**Excellent value for money**



Upper and lower parts equipped with a 22 mm threaded eye rod with 2 nuts



Assembly of Ø 35 mm spacers cut with half-round groove on the barrier rails



Spring bolt  
Ø 14 mm



Rails locked in place with nuts threaded in a hasp



## HALF-MESHED MODEL

Built on the base of the field-gate with the 2 lower meshed parts 50 x 50 in 4 mm

| Description                                       | Code      | Pack | Weight kg | Price ex. VAT |
|---|-----------|------|-----------|---------------|
| <b>EXTENDIBLE FIELD GATES 5 rails - H. 1.15 m</b> |           |      |           |               |
| Complete 2/3 m gate                               | 112 13 67 |      | 34        |               |
| Complete 3/4 m gate                               | 112 13 69 |      | 38        |               |
| Complete 4/5 m gate                               | 112 13 71 |      | 44        |               |
| Complete 5/6 m gate                               | 112 13 73 |      | 55        |               |

Front part length 1550 mm.

| Description                                  | Code      | Pack | Weight kg | Price ex. VAT |
|--|-----------|------|-----------|---------------|
| <b>FIXED FIELD GATES 5 rails - H. 1.15 m</b> |           |      |           |               |
| Fixed gate 3 m                               | 112 13 59 |      | 26        |               |
| Fixed gate 4 m                               | 112 13 61 |      | 37        |               |
| Fixed gate 5 m                               | 112 13 63 |      | 42        |               |

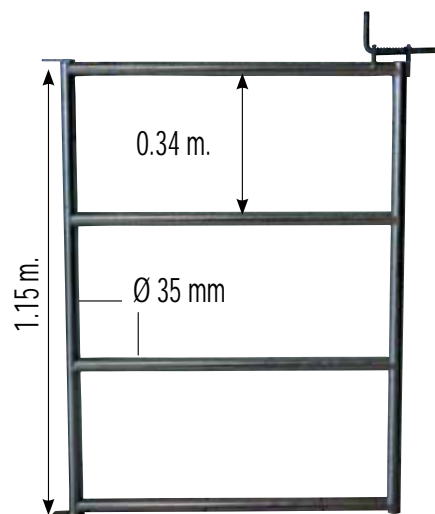
| Description  | Code      | Pack | Weight kg | Price ex. VAT |
|--|-----------|------|-----------|---------------|
| <b>FIXED HALF-MESHED FIELD GATES 5 rails - H. 1.15 m</b> |           |      |           |               |
| Fixed half-meshed gate 3 m                               | 112 13 51 |      | 33        |               |
| Fixed half-meshed gate 4 m                               | 112 13 53 |      | 43        |               |
| Fixed half-meshed gate 5 m                               | 112 13 55 |      | 54        |               |
| Eye rod Ø 22 mm + 2 nuts                                 | 112 13 41 |      | 0.8       |               |

## SERVICE GATES

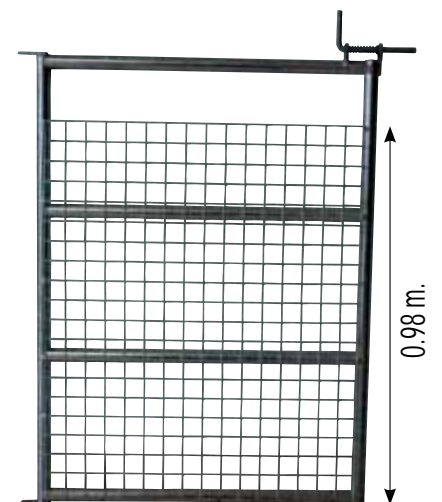
**Delivered with fixings**

The light weight and ease of use of these fixed, galvanised gates are highly appreciated. Delivered with a standard Ø 14 mm spring bolt protruding 86 mm from the gate.

They are delivered with 2 standard wall fixing brackets also used as a shaft, bolted to the gate using Ø 12 mm fasteners.



112 13 80



112 13 81

| Désignation  | Références | Col. | Poids u. kg | Prix HT |
|--|------------|------|-------------|---------|
| Service gate 1 bolt. 4 rails Ø 35 mm Len. 0.90 m           | 112 13 80  |      | 8.5         |         |
| Service gate 1 bolt. 4 rails Ø 35 mm meshed. Length 0.90 m | 112 13 81  |      | 9.5         |         |

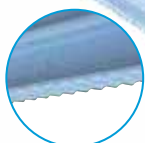
**TO RAISE CALVES UP TO 2 MONTHS OLD**

**HYGIÈNE PLUS CALF PENS**

**Height adjustable partitions**

**Patented**

Pens with partitions and rotary-moulded polyethylene floor, galvanised metal posts.



Openwork lower part leaving the possibility for fluids and cleaning water to pass through, even in the version with partitions to the ground and no floor.



Solid partition without any possibility of contact between calves at less than 900 mm from the ground.

**Dismantled in a jiffy, guaranteed hygiene!**



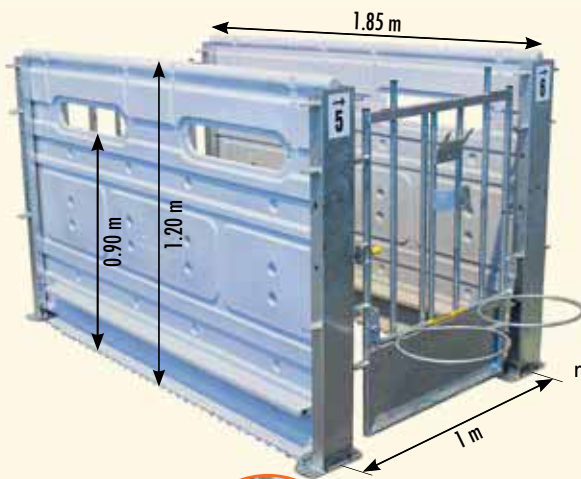
Calf pens designed for totally optimised hygiene by improved cleaning and disinfection.

Post with a large plate fixed to the ground, all the elements composing these calf pens can be very quickly removed to improve cleaning and disinfection operations, even offering the possibility of disinfection by soaking.

**PENS THAT ARE MODULAR ACCORDING TO THE SELECTED RAISING METHOD**  
PEN INNER LENGTH 1.80 M, SLEEPING SURFACE AREA 1.75 M<sup>2</sup>



**CALF PEN SHOWN WITHOUT FLOOR**  
can be converted into a collective pen



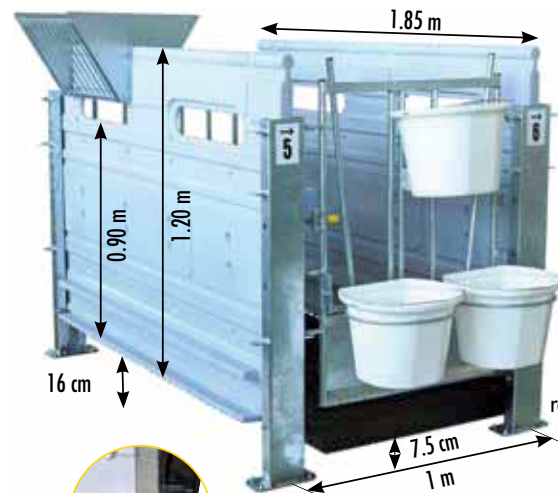
Example: partitions, front and gate positioned on the lower part of the posts, without floor.

Ideal for straw bedding version, perfectly meets the European directive and the Farming Association recommendations.



Offset plate to allow back-to-back installation to create facing pens.

**CALF PEN SHOWN WITH FLOOR**  
can be converted into a collective pen



Example: partitions, front and gate positioned on the high part of the posts, use with duck-boarding, perfectly meets the European directive and the Farming Association recommendations.



Hardware to block the partitions on the top part of the posts.

- Post with double front and gate height indexing
- Usable with or without floor
- Reversible front and gate openings

**In these examples of use:**

- installation compliant with the European directive and the Farming Association recommendations with 900 mm of the floor under the open-work parts of the partitions.

**Compliant with the applicable European directive and with the Farming Association recommendations:** Physical and visual openwork zone limiting licking, suckling and contact with manure. Placed at 900 mm from the ground, in compliance with applicable recommendations; 500 mm long by 100 mm high. These spaces can be shut by stainless steel flaps to isolate sick calves, thus converting the pen into an infirmary.

**remember...**

If there is too much contact between the calves, housing in individual pens no longer fulfils its purpose which is sanitary separation and can put the use of such a housing method into question.

# HYGIÈNE PLUS CALF PENS



## HYGIÈNE PLUS PE FLOOR

Manufactured in rotary moulded polyethylene, hermetic floor.

**Dismantled in a jiffy. guaranteed hygiene!**

floor grooves allowing natural cleaning of the calf manure.

Free height under the floor of 75 mm making it easy to clean the pens.

Transport handle on the lower front part.

Side shapes adapted to the use of parts to convert individual pens into collective pens.

112 33 09  
L 1.95 x W 0.85 x H 0.19 m

Non-slip top highly effective in contact with animal hooves; floor that can be used with or without straw.

Two wheels in the back part to make handling for cleaning and disinfection operations easier.

8 staggered stands under the floor to prevent long fibres from becoming trapped when cleaning.



- Can be added to the calf pens at all times
- Used with parts to convert the floor into a collective platform

## HYGIÈNE PLUS PE PART

Manufactured in rotary moulded polyethylene, hermetic part. Placed between 2 floors instead of the PE partitions, it is used to convert individual pens into collective pens, providing an even scraping surface.

Shape adapted to fit between 2 floors placed in the calf pens

End designed to fit perfectly into the metal posts instead of the PE partitions, avoid all risk of calf hooves passing through.

Non-slip top highly effective in contact with animal hooves; part that can be used with or without straw.

112 33 11  
L 1.84 m x W 0.20 m x H 85 mm

**Partition removed and PE part added = collective pen**



## GALVANISED FRONT

**MODEL WITH ADJUSTABLE HEAD PASSAGE**



Can be used with La Gée 17.5 L buckets, Code.: 112 33 17 or standard commercially available round buckets.

## Fold-away bucket holder

◀ **DOUBLE YOKE GALVANISED FRONT INCLUDING:**

Design :

- a sheet metal lower part to limit bedding waste.
- 2 mobile bars with polyethylene stops for optimised animal blocking.
- adjustable head passage
- 2 round fold-away bucket holders to limit the pen size during sanitary clearance.
- 1 nipple bucket holder in the top part with head butt prevention blockage.
- opening and closure using a reversible left/right spring bolt.
- height indexable

## GATE



112 33 07

- opening and closure using a spring bolt.
- left/right reversible.

**OPTIONS:**



112 33 15



112 33 17



112 33 19



112 37 27

Hay rack designed to be installed in two FRONT and BACK indexings of the PE partitions



112 33 23

112 33 21

Easy to convert into an isolation pen using the stainless steel cap option.

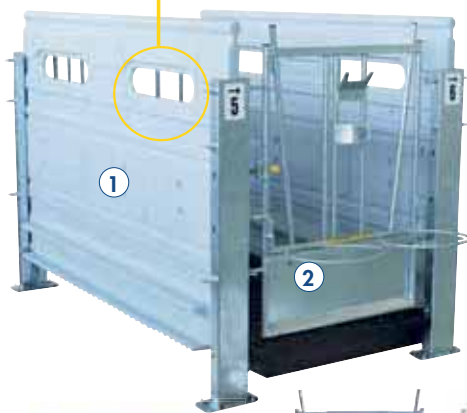


A high-quality product

bovi3d.com



Design your own installation using our specialised software

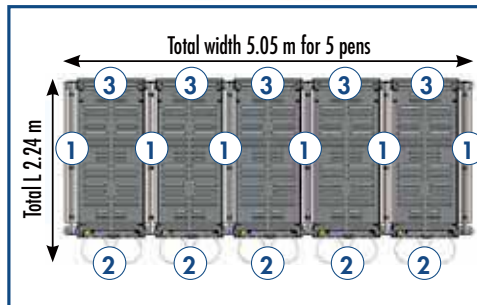


| Individual calf pens             |  | Code      | Pack | Weight kg | Price ex.. VAT  |
|----------------------------------|--|-----------|------|-----------|-----------------|
| ①                                | Hygiène Plus PE partition with 2 galvanised posts        | 112 33 01 | 33   |           |                 |
| ②                                | Galvanised front with double yokes                       | 112 33 06 | 14   |           |                 |
| ③                                | Galvanised barred back gate                              | 112 33 07 | 9    |           |                 |
| Options for individual calf pens |  | Code      | Pack | Weight kg | Price € ex. VAT |
|                                  | Hygiène Plus PE floor                                    | 112 33 09 | 20   |           |                 |
|                                  | Hygiène Plus PE fixture for floors                       | 112 33 11 | 4    |           |                 |
|                                  | Nipple bucket graduated in litres                        | 112 33 15 | 1    |           |                 |
|                                  | 17.5 L bucket graduated in litres                        | 112 33 17 | 1    |           |                 |
|                                  | Galvanised calf pen double hay rack                      | 112 37 27 | 8    |           |                 |
|                                  | Set of 4 stainless steel caps for calf pen PE partitions | 112 33 19 | 5    |           |                 |
|                                  | Pair of wall fixings for front facade and back gate      | 112 33 21 | 3    |           |                 |
|                                  | Set of ten selected adhesive numbers                     | 112 33 23 |      |           |                 |

To start or finish against a wall, order the pair of wall fixings for facade and gate Code 112 33 21

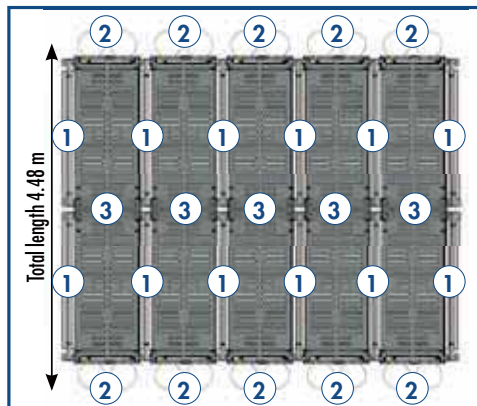


**Simple and practical!**



**EXAMPLE OF AN ORDER FOR A ROW OF 5 PENS**

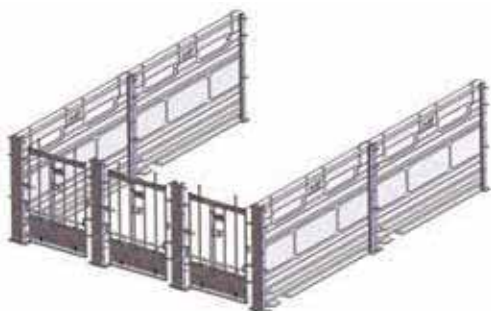
Single line island (excluding options):  
 6 x Code 112 33 01 ①  
 + 5 x Code 112 33 06 ②  
 + 5 x Code 112 33 07 ③



**EXAMPLE OF AN ORDER FOR A ROW OF 10 BACK TO BACK PENS**

Back to back line island (excluding options):  
 12 x Code 112 33 01 ①  
 + 10 x Code 112 33 06 ②  
 + 5 Code 112 33 07 ③

**MODULAR AND MULTI-PURPOSE UNITS**



**Usable in collective pens**

Our pens can be converted into individual calf pens or collective calf pens at all times.

When used with floors, a junction fixture must be added between the duck-boards in order to provide an even scraping surface.

These pens are sized to accept calves in collective pens after the 8 weeks authorised in individual pens.

# METAL CALF PENS

## TO RAISE CALVES UP TO 2 MONTHS OLD

Excellent value for money models, providing great strength.

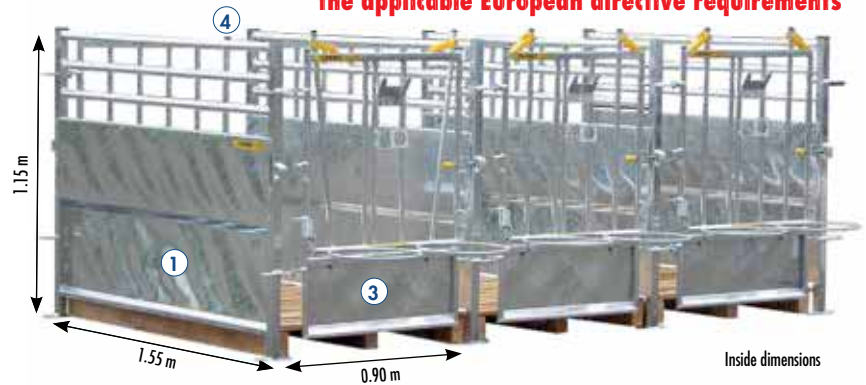
### SHEET METAL PARTITIONS WITH BARRED TOP SECTION

Code 112 34 01

These partitions are used to separate animals while making it easy to feed and monitor the animal from a very early age.

- Total length: 1.60 m - total height: 1.15 m
- fixed to the ground using plates

- Usable with or without floors
- Reversible front and gate openings



With the barred high part meeting the applicable European directive requirements

**ideal as an infirmary pen in its full sheet metal partition version**

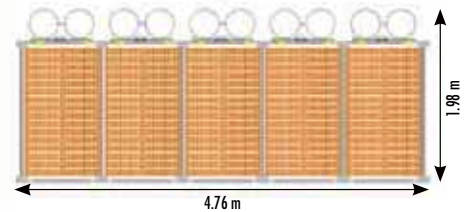
**FULL INFIRMARY SHEET METAL SEPARATIONS**  
Code 112 34 03

These partitions are essential to separate sick animals and prevent any contact between them to avoid spreading germs and disease.

- total length: 1.60 m
- total height: 1.20 m
- fixed to the ground using plates.

Inside dimensions  
1.20 m  
0.90 m  
1.55 m  
Infirmary pens shown with optional equipment

1 individual calf pen space with metal walls, including: ① or ② + ③ + ④ to create installations in a row, Floors as an option.



## GALVANISED FRONT

### WITH DOUBLE YOKE INCLUDING

- a solid sheet metal lower part to limit bedding waste.
- 2 moving bars with polyethylene stops for especially strong and noise limiting optimised calf blocking.
- 2 round fold-away bucket holders to limit the pen size during sanitary clearance.
- opening and closure using a reversible left/right spring bolt.



**MODEL WITH ADJUSTABLE HEAD PASSAGE**

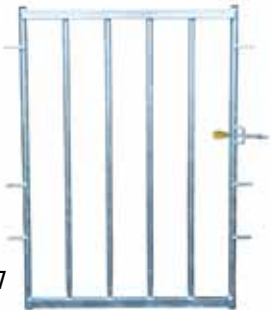
### FLOORS

- manufactured in oak, it improves the comfort of the animals



## GALVANISED GATE BARRED

- opening and closure using a spring bolt
- left/right reversible.



| Individual metal calf pens                                    | Code      | Pack | Weight kg | Price ex. VAT |
|---|-----------|------|-----------|---------------|
| ① Sheet metal partition with barred top section               | 112 34 01 | 30   |           |               |
| ② Full sheet metal infirmary partition                        | 112 34 03 | 31   |           |               |
| ③ Galvanised front with double yokes                          | 112 33 06 | 14   |           |               |
| ④ Galvanised, barred gate                                     | 112 33 07 | 9    |           |               |
| Options for individual metal calf pens                        | Code      | Pack | Weight kg | Price ex. VAT |
| Oak floor for individual calf pen with sheet metal separation | 112 34 09 | 47   |           |               |
| Nipple bucket graduated in litres                             | 112 33 15 | 1    |           |               |
| 17.5 L bucket graduated in litres                             | 112 33 17 | 1    |           |               |
| Pair of wall fixings for front facade and back gate           | 112 33 21 | 3    |           |               |
| Galvanised calf pen double hay rack                           | 112 37 27 | 8    |           |               |

112 37 27

European directive. excerpt from the European Union Official Journal of 15th January 2009.

Article 3

1) From 1 January 1998, the following provisions shall apply on all newly built or rebuilt holdings and on all those brought into use after that date.

a) no calf shall be confined in an individual pen after the age of eight weeks, unless a veterinarian certifies that its health or behaviour requires it to be isolated in order to receive treatment. The width of any individual pen for a calf shall be at least equal to the height of the calf at the withers, measured in the standing position, and the length shall be at least equal to the body length of the calf, measured from the tip of the nose to the caudal edge of the tuber ischii (pin bone), multiplied by 1.1.

Individual pens for calves (except those for isolating sick animals) must not have solid walls, but perforated walls which allow the calves to have direct visual and tactile contact;

b) for calves kept in groups, the unobstructed space allowance available to each calf shall be at least equal to 1.5 m<sup>2</sup> for each calf of a live weight of less than 150 kilograms, at least equal to 1.7 m<sup>2</sup> for each calf of a live weight of 150 kilograms or more but less than 220 kilograms, and at least equal to 1.8 m<sup>2</sup> for each calf of a live weight of 220 kilograms or more.

**REMINDER**

patented

Ideal for use  
up to 6 or 7 months  
max. 220 kg

# CALF YOKES "JUNIOR COMFORT SR"



New

Equipped with the new quick opening polymer stoppers and its new automatic handle

System to block the control bar of the stoppers, secured by a guillotine mechanism with a plasticised handle.



New stoppers



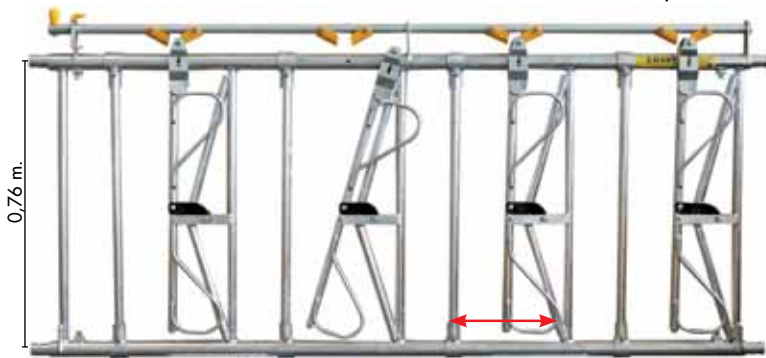
possibility to close space per space when fully opening the yoke thanks to the standard passage of shafts on the upper parts of the beam and the moving bars.



PATENTED

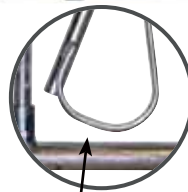
double quick opening polymer stoppers mechanism, used to block the moving bars, highly effective and silent thanks to a Teflon large diameter spacer.

| Description   | Characteristics   | Code      | Pack | Weight kg | Price ex. VAT |
|---|-------------------|-----------|------|-----------|---------------|
| Calf yoke "JUNIOR COMFORT SR" with bucket holder          | 0.60 m - 1 space  | 112 37 30 |      | 13        |               |
| With bucket holder  | 1 m - 2 spaces    | 112 37 31 |      | 19        |               |
|   | 2 m - 4 spaces    | 112 37 32 |      | 36        |               |
| Calf yoke "JUNIOR COMFORT SR" Bare. without bucket holder | 2.5 m - 5 spaces  | 112 37 34 |      | 45        |               |
|   | 3 m - 6 spaces    | 112 37 36 |      | 54        |               |
|   | 4 m - 8 spaces    | 112 37 37 |      | 75        |               |
|   | 5 m - 10 spaces   | 112 37 38 |      | 97        |               |
| La GÉE bucket holder troughs for yokes                    | 2 m - 4 buckets   | 112 37 47 |      | 16        |               |
| "COMFORT JUNIOR" Bare. without bucket holder              | 2.5 m - 5 buckets | 112 37 49 |      | 19        |               |
|   | 3 m - 6 buckets   | 112 37 51 |      | 22        |               |
| Metal bucket holders for yokes                            | 2 m - 4 buckets   | 112 37 39 |      | 8,5       |               |
| "COMFORT JUNIOR" Bare. without bucket holder              | 2.5 m - 5 buckets | 112 37 41 |      | 10        |               |
|   | 3 m - 6 buckets   | 112 37 43 |      | 12,5      |               |
| Adjustment end only                                       | 1.24 cm ø 33.7 mm | 112 37 98 |      | 1         |               |



delivered with 4 standard adjustable ends.

standard strangulation prevention device.



elastic single branch spring protected from the calves



System

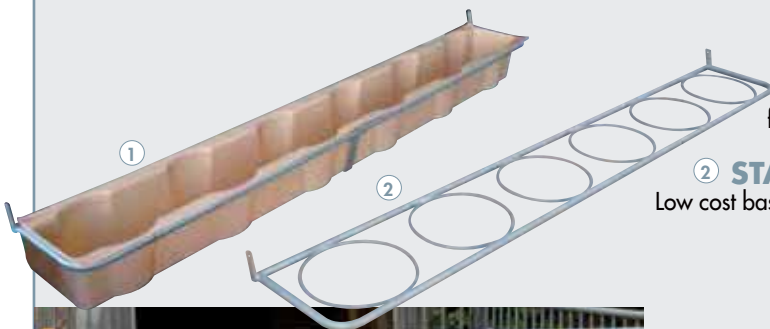
"elastic single branch spring" PATENTED adjustable using a rack fitted to each moving bar for an automatic return to the open position. Moving bar shaft fitted with a reinforcing ring to limit wear over the long term.

The 4 and 5 m length models are respectively delivered with 1 and 2 reinforcement(s) to embed

For the 4 and 5 m models, plan for two bucket holders or troughs per yoke

Moving bar with head passage prevention in the top and bottom part also avoiding the snagging of DAL collars.

## TECHNICAL BENEFITS: SEVERAL SOLUTIONS TO FEED CALVES AT THE YOKE



### 1 LA GÉE BUCKET HOLDER TROUGHS

Manufactured from polyethylene resin, they are rot proof and invulnerable to disinfectants and detergents. Multi-purpose, they allow feeding and/or drinking with housings used to block the buckets.

### 2 STANDARD METAL BUCKET HOLDERS

Low cost basic equipment allowing only bucket feeding.



### • JUNIOR LA GÉE TROUGHS

Manufactured from polyethylene resin, they are rot proof and invulnerable to disinfectants and detergents. Fitted with a drainage cap. Galvanised, height adjustable stands.

| Description  | Code       | Min. Height | Max. Height | Packing list | Price € ex. VAT |
|--------------|------------|-------------|-------------|--------------|-----------------|
| 2 x 0.45 m   | P113 41 09 | 0.30 m      | 0.50 m      |              |                 |
| 2.5 x 0.45 m | P113 41 11 | 0.30 m      | 0.50 m      |              |                 |
| 3 x 0.45 m   | P113 41 13 | 0.30 m      | 0.50 m      |              |                 |



Caution: La Gée sales terms and conditions apply to these prices

# Ø 42.4 mm OBLIQUE BARRIERS BARRED PARTITIONS



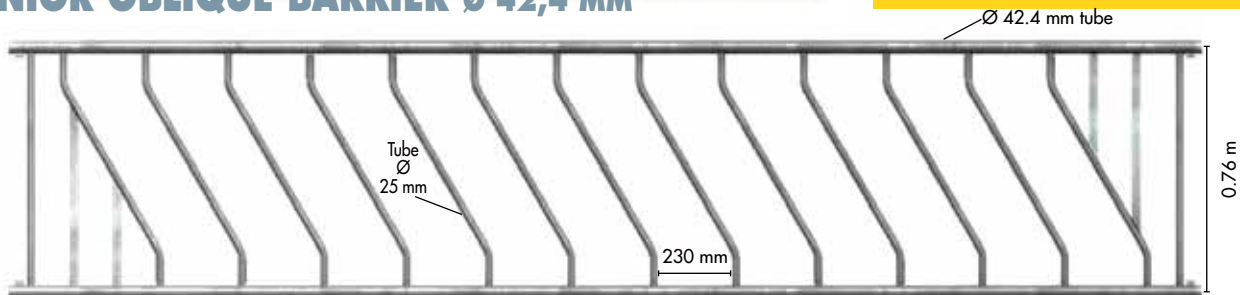
## GROUP CALF PEN

To raise calves up to 6/7 months old by repeating the same raising conditions as adult cattle:

- a straw bedded area separated by barred partitions with suspended hay racks to separate different lots
- a raised feeding area fitted with yokes, passage gates, partitions, etc.

Metal equipment hot-dip galvanised after production contributing to the good hygiene of the farm.

## JUNIOR OBLIQUE BARRIER Ø 42,4 MM



Barrier fitted with 4 adjustable end pieces making it possible to adjust the installation length



115 05 40

| Description                                 | Code      | Pack | Weight kg | Price ex. VAT |
|---|-----------|------|-----------|---------------|
| Oblique ø 42.4 mm barrier 2 m - 5 spaces    | 112 36 01 |      | 17        |               |
| Oblique ø 42.4 mm barrier 2.50 m - 7 spaces | 112 36 03 |      | 21        |               |
| Oblique ø 42.4 mm barrier 3 m - 9 spaces    | 112 36 05 |      | 29        |               |
| Oblique ø 42.4 mm barrier 4 m - 12 spaces   | 112 36 07 |      | 39        |               |
| Oblique ø 42.4 mm barrier 5 m - 16 spaces   | 112 36 09 |      | 48        |               |
| Adjustment tip only L. 24 cm x ø 33.7 mm    | 112 37 98 |      | 1         |               |
| Option reinforcement to embed*              | 112 37 40 |      | 1         |               |

### INSTALLATION ADVICE

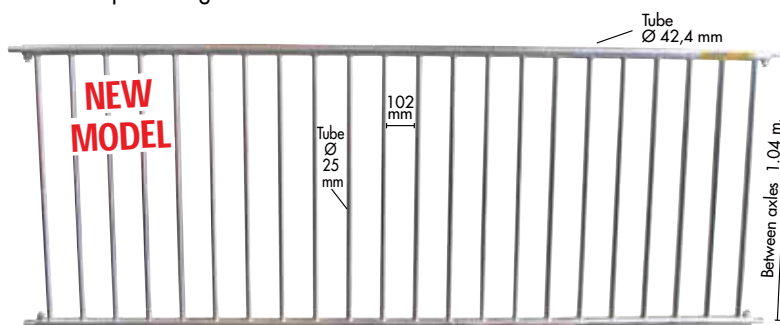
For the use of Junior oblique barriers with lengths over 3 m, we highly recommend the option reinforcement to embed (115 05 40)

## Ø 42.4 MM BARRED PARTITION

The barred partitions have a total height of 1.08 m. This size makes it possible to prevent the calves from passing from one pen to another during the first days after birth when they are laying down. They are delivered with 4 extendible tips making them easier to install.



Partition fitted with 4 adjustable end pieces making it possible to adjust the installation length



| Description                            | Length             | Code      | Pack | Weight kg | Price ex. VAT |
|--|--------------------|-----------|------|-----------|---------------|
| Barred partitions for calves H. 1.08 m | 3 m                | 112 37 56 |      | 39        |               |
|  | 4 m                | 112 37 58 |      | 53        |               |
|  | 5 m                | 112 37 60 |      | 67        |               |
| Adjustment tip only                    | L. 24 cm ø 33.7 mm | 112 37 98 |      | 1         |               |



New ø 25 mm welded bars with half round groove.



Height 1.08 m preventing calves from passing

European directive. excerpt from the European Union Official Journal of 15th January 2009.

### Article 3

1) From 1 January 1998, the following provisions shall apply on all newly built or rebuilt holdings and on all those brought into use after that date.

a) no calf shall be confined in an individual pen after the age of eight weeks, unless a veterinarian certifies that its health or behaviour requires it to be isolated in order to receive treatment.

The width of any individual pen for a calf shall be at least equal to the height of the calf at the withers, measured in the standing position, and the length shall be at least equal to the body length of the calf, measured from the tip of the nose to the caudal edge of the tuber ischii (pin bone), multiplied by 1.1. Individual pens for calves (except those for isolating sick animals) must not have solid walls. but perforated walls which

allow the calves to have direct visual and tactile contact; b) for calves kept in groups, the unobstructed space allowance available to each calf shall be at least equal to 1.5 m<sup>2</sup> for each calf of a live weight of less than 150 kilograms, at least equal to 1.7 m<sup>2</sup> for each calf of a live weight of 150 kilograms or more but less than 220 kilograms, and at least equal to 1.8 m<sup>2</sup> for each calf of a live weight of 220 kilograms or more.

## REMINDER

# ACCESSORIES GROUP CALF PENS

## EXTENDIBLE GATE

These Ø 40 mm 4 rail gates have a total height of 0.75 m. They have locks operated by cage nut.

They exist in a panel version, that opens in both directions and in lengths of 0.50 m to 1.60 m

They exist in a panel version, with an opening for a drinking device opening in both directions and in lengths of 0.85 m to 1.60 m.



## FIXED GATE

This gate is delivered as standard with a Ø 14 mm pin used as its shaft.

The gate is designed for receiving the pain and chain from our flanges ø 76 mm on the closing side.

Dimensions: W. 0.72 m x H. 1.20 m

| Description | Code      | Pack | Weight kg | Price ex. VAT |
|-------------|-----------|------|-----------|---------------|
| Fixed gate  | 112 37 73 | 9    |           |               |

## ACCESSORIES

| Description                        | Characteristics                 | Code              | Pack | Weight kg | Price ex. VAT |
|------------------------------------|---------------------------------|-------------------|------|-----------|---------------|
| Bare 1/2 flange                    |                                 | 112 37 82         |      | 0,5       |               |
| Pair of flanges                    | 1 direction                     | 112 37 83         |      | 2,5       |               |
|                                    | 2 directions at 90°             | 112 37 87         |      | 3,1       |               |
|                                    | 2 directions facing             | 112 37 85         |      | 3,1       |               |
|                                    | 3 directions                    | 112 37 89         |      | 3,4       |               |
|                                    | 4 directions                    | 112 37 91         |      | 5,1       |               |
|                                    | bolt                            | 112 37 93         |      | 4,5       |               |
| 1/2 flange                         | bare Ø 76 mm - pack of 40       | 112 37 82 PACK    |      | 17,5      |               |
|                                    | 1 dir. Ø 76 mm - pack of 20     | 112 37 84 PACK    |      | 15,5      |               |
|                                    | 2 dir. Ø 76 mm - pack of 20     | 112 37 88 PACK    |      | 25,5      |               |
|                                    | bare Ø 76 mm - surpack of 560   | 112 37 82 SURPACK |      | 245       |               |
| 1/2 flange                         | 1 dir. Ø 76 mm - surpack of 180 | 112 37 84 SURPACK |      | 140       |               |
|                                    | 2 dir. Ø 76 mm - surpack of 120 | 112 37 88 SURPACK |      | 153       |               |
| Bare posts Ø 76 mm                 | for embedding                   | 112 37 75         |      | 8,5       |               |
|                                    | on a plate                      | 112 37 77         |      | 8,2       |               |
| Embedding sheath for Ø 76 mm posts |                                 | 112 37 79         |      | 2,5       |               |
| Sheath cache for Ø 76 mm           |                                 | 112 37 81         |      | 0,5       |               |

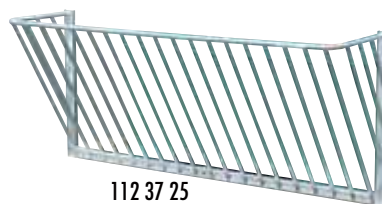
New



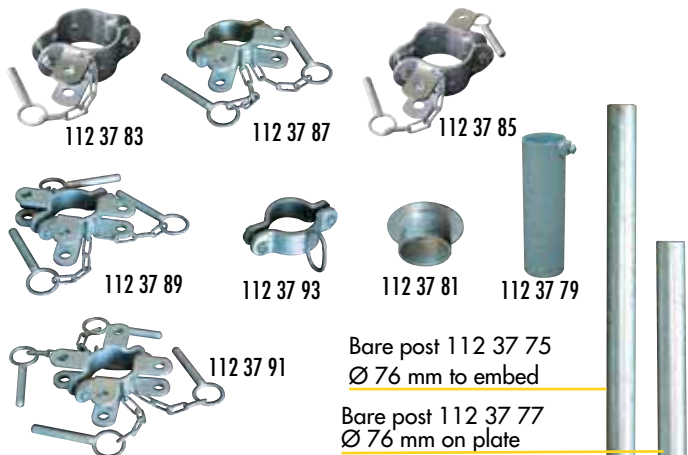
## SUSPENDED HAY RACK

- designed to be fitted directly onto barred partitions
- used to distribute forage from the very first days.

Dimensions :  
L 1.00 x P 0.56 x H 0.85 m  
L 2.00 x P 0.56 x H 0.85 m



112 37 23  
+112 37 22



## INNOVATION

All our flanges ø 76 and 102 mm are designed with a stamp in order to obtain a protruding anti-rotation spike on the side post **A** with reinforcements during screw slot **B**



Anti-rotation

| Description  | Characteristics | Code      | Pack | Weight kg | Price ex. VAT |
|--|-----------------|-----------|------|-----------|---------------|
| Suspended hay racks  | L 1 m           | 112 37 23 |      | 13        |               |
|  | L 2 m           | 112 37 25 |      | 24        |               |
| Meshed bottom for suspended hay racks on barred partitions | L 1 m           | 112 37 22 |      | 4         |               |
|  | L 2 m           | 112 37 24 |      | 7         |               |

# SRS SELF-LOCKING YOKE DOUBLE PANEL

The most **S**ilent model on the market, perfectly suited for use with dairy or beef cattle.



**New**

Equipped with the new quick opening polymer stoppers and its new automatic handle

## SILENT DOUBLE PANEL "COMFORT SRS" SELF-LOCKING YOKE

A new range of self-locking yokes making it possible to have installations that are completely silent in the self-service position. These models of self-locking yokes are obtained by fitting a double panel with a silent mechanism from the "Comfort SR" line yokes



Spring operated control grip allowing a quick indexing of the neck opening position for the selected double panel.



robust and fold-away neck opening adjustment grip.

**a** Neck opening bars with head passage prevention bars on the double panel. Spacing identical to the neck bars initially fitted to a standard yoke. Allows a neck opening range from self-service (with full clearance) to reduced neck opening for young animals.

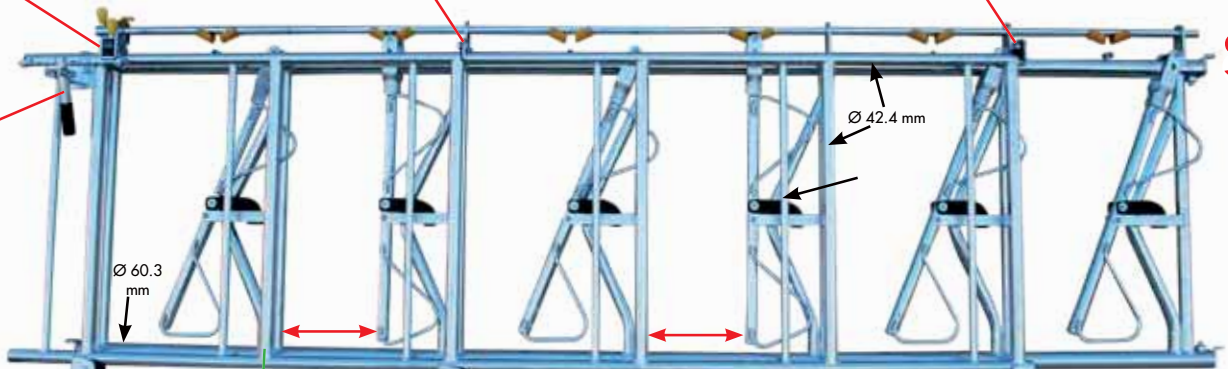


### "COMFORT SRS" YOKE IN THE SELF SERVICE POSITION

The double panels are fixed to the yoke by bolting technical supports in the top part, on the control bar supports welded to the yoke. Reliable unit which remains sturdy over time.



The double panel is guided by nylon technical parts in the upper part.



**SILENCE!**

### Example: spaces in the self service position, moving bars blocked, double panel open to its maximum.



**b** Double panel offset towards the bottom to clear the neck of the cattle when feeding.



The double panel is fixed to the yoke by bolting technical supports with locating rollers on welded plates built into the lower part of the yoke. Reliable unit which remains sturdy over time.

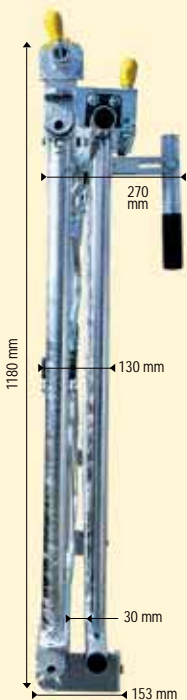


### "COMFORT SRS" SELF-LOCKING YOKE IN THE CATTLE LOCKING POSITION



- 1 Double panel set to the animal locking position
- 2 The yoke's anti strangulation function is kept and can be amplified by the complete opening of the panel in the self-service position
- 3 Neck opening adjustable without tools, depending on the change in size linked to the animals' ages

**A compact and strong yoke!**



#### MAIN ADVANTAGES IN USING "COMFORT SRS" SELF-LOCKING YOKES:

- **Full noise reduction** in the self-service position when the moving bars are positioned in the locking mode, they thus provide a wide passage for the animals without any movement of the yoke's moving bar.
- **Simultaneous neck size adjustment possible** for all the spaces using a single grip. For example, this function makes it possible to:
  - adapt the yoke to the animal morphology over time, especially for batches of beef cattle that are being fattened.
  - use a same model of yoke and configure it differently depending on the age and morphology of the animals, for example to obtain multi-purpose pens from heifers to adult dairy cows.
- **provides a double strangulation prevention safety**, either using the original SR yoke anti-strangulation function, or using the double moving panel with possible wide opening.

**Our self-locking yokes are fitted with intermediate reinforcements for embedding, 1 reinforcement for the 3, 4 and 5 m models and 2 for the 6 m models**

Benefit from technical advice from our team which is specialised in fitting out cattle buildings  
Design your own installation using our specialised software



| "Comfort SRS" self-locking yoke |        |  |      |           |               |
|---------------------------------|--------|--|------|-----------|---------------|
| Number of spaces                | Length | SRS model with adjustable neck opening | Pack | Weight kg | Price ex. VAT |
| 5 spaces                        | 4 m    | 115 34 07                              |      | 165       |               |
| 6 spaces                        | 4 m    | 115 34 09                              |      | 170       |               |
| 6 spaces                        | 5 m    | 115 34 11                              |      | 201       |               |
| 7 spaces                        | 5 m    | 115 34 17                              |      | 205       |               |
| 8 spaces                        | 5 m    | 115 34 19                              |      | 235       |               |
| 8 spaces                        | 6 m    | 115 34 25                              |      | 254       |               |
| 9 spaces                        | 6 m    | 115 34 27                              |      | 270       |               |
| 10 spaces                       | 6 m    | 115 34 29                              |      | 287       |               |

patented

# SR and SF COMFORT SELF-LOCKING YOKE



## "COMFORT S" SELF-LOCKING YOKE WITH STANDARD NECK OPENING FOR DEHORND CATTLE

These new lines meet breeders' requirements thanks to their many advantages.

**"Comfort SR"** self-locking yoke

Standard neck opening model, adjustable width, anti-strangulation and noise prevention.

**"Comfort SF"** self-locking yoke dairy type small size yoke.

Standard neck opening model, fixed width, anti-strangulation and noise prevention.

For dehorned cattle.

Discover on page 24 our "CABON system" to automatically open and close self-locking yokes

New

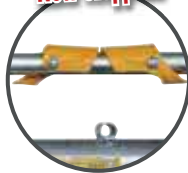


New handle



System to block the control bar with the double stoppers, secured by a spring mechanism leaded in a plasticised handle.

New stoppers



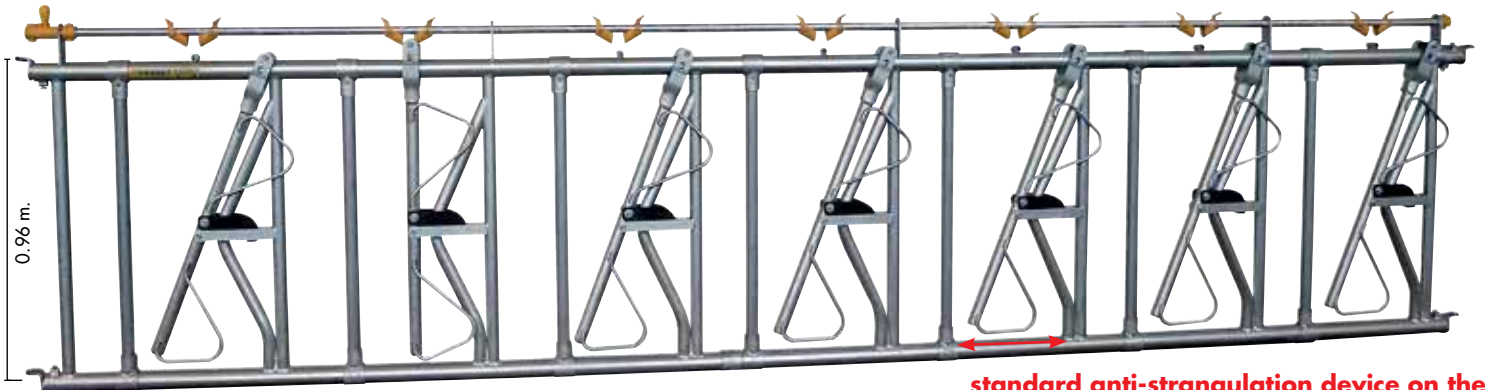
possibility to close space per space when fully opening the yoke thanks to the standard passage of shafts on the upper parts of the beam and the moving bars.

New stoppers



PATENTED

double quick opening polymer stoppers mechanism, used to block the moving bars, highly effective and silent thanks to a Teflon large diameter spacer.



standard anti-strangulation device on the "comfort SR" and "comfort SF" models



moving bar with head passage prevention in the top and bottom part also avoiding the snagging of DAL collars.



Système

"élastique spring" PATENTED

Fitted on each moving bar for automatic return to the open position. Moving bar shaft fitted with a reinforcement ring to limit wear over the long term.



standard delivery with 4 wing tips, extendible by turning them over.

## New Cosnet self-locking yokes generation



New

Equipped with the new quick opening polymer stoppers and its new automatic handle.



# COMFORT SR AND SF SELF-LOCKING YOKE



## COMFORT SELF-LOCKING YOKE

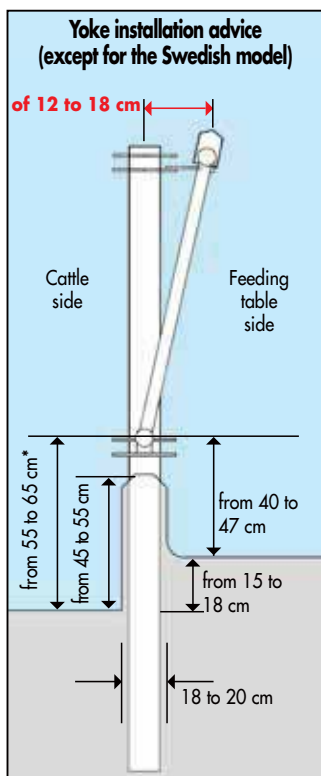
| "Comfort SR" self-locking yoke |        |                                       |      |           |               | "Comfort SF" self-locking yoke   |      |           |               |
|--------------------------------|--------|---------------------------------------|------|-----------|---------------|----------------------------------|------|-----------|---------------|
| Number of spaces               | Length | SR model with adjustable neck opening | Pack | Weight kg | Price ex. VAT | SF model with fixed neck opening | Pack | Weight kg | Price ex. VAT |
| 1 space                        | 1 m    | 115 31 01                             |      | 25        |               |                                  |      |           |               |
| 2 spaces                       | 1.65 m | 115 31 00                             |      | 54        |               |                                  |      |           |               |
| 3 spaces                       | 2 m    | 115 31 16                             |      | 61        |               |                                  |      |           |               |
| 4 spaces                       | 3 m    | 115 31 17                             |      | 85        |               |                                  |      |           |               |
| 5 spaces                       | 3.40 m | 115 31 18                             |      | 97        |               |                                  |      |           |               |
| 5 spaces                       | 4 m    | 115 31 02                             |      | 120       |               |                                  |      |           |               |
| 6 spaces                       | 4 m    | 115 31 03                             |      | 129       |               |                                  |      |           |               |
| 6 spaces                       | 4.40 m | 115 31 06                             |      | 132       |               |                                  |      |           |               |
| 6 spaces                       | 5 m    | 115 31 05                             |      | 147       |               |                                  |      |           |               |
| 7 spaces                       | 4 m    | 115 31 19                             |      | 140       |               |                                  |      |           |               |
| 7 spaces                       | 4.80 m | 115 31 04                             |      | 145       |               |                                  |      |           |               |
| 7 spaces                       | 5 m    | 115 31 07                             |      | 149       |               | 115 33 07                        |      | 140       |               |
| 8 spaces                       | 4.40 m | 115 31 14                             |      | 160       |               |                                  |      |           |               |
| 8 spaces                       | 5 m    | 115 31 09                             |      | 162       |               | 115 33 09                        |      | 152       |               |
| 8 spaces                       | 5.40 m | 115 31 08                             |      | 165       |               |                                  |      |           |               |
| 8 spaces                       | 6 m    | 115 31 11                             |      | 189       |               | 115 33 11                        |      | 178       |               |
| 9 spaces                       | 5 m    | 115 31 10                             |      | 175       |               |                                  |      |           |               |
| 9 spaces                       | 6 m    | 115 31 13                             |      | 186       |               |                                  |      |           |               |
| 10 spaces                      | 5.40 m | 115 31 21                             |      | 212       |               |                                  |      |           |               |
| 10 spaces                      | 6 m    | 115 31 15                             |      | 214       |               |                                  |      |           |               |
| 11 spaces                      | 6 m    | 115 31 12                             |      | 242       |               |                                  |      |           |               |



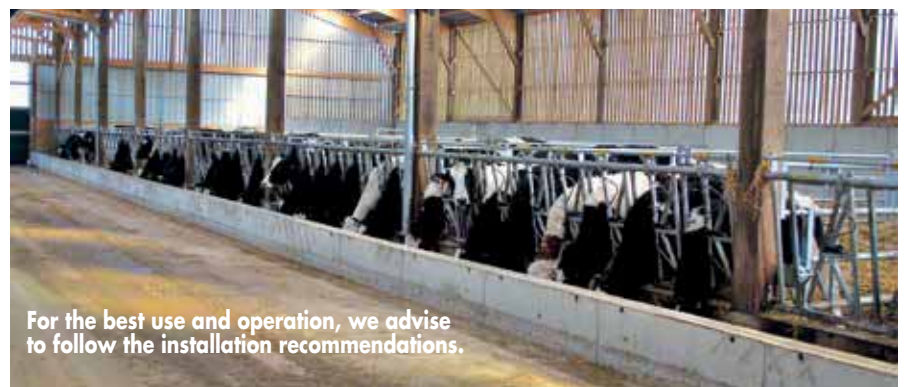
**New**

Equipped with the new quick opening polymer stoppers and its new automatic handle\*

**"COMFORT SR" SELF-LOCKING  
1 SPACE  
1 METRE**



Thanks to their patented "stopper" and "elastic spring" systems, Cosnet self-locking yokes operate perfectly at a slope of 12 to 18 cm which is ideal for a correct cattle feeding posture



For the best use and operation, we advise to follow the installation recommendations.

Our self-locking yokes are fitted with intermediate reinforcements for embedding, 1 reinforcement for the 3, 4 and 5 m models and 2 for the 6 m models



\*according to animals race and size.

**PATENTED**

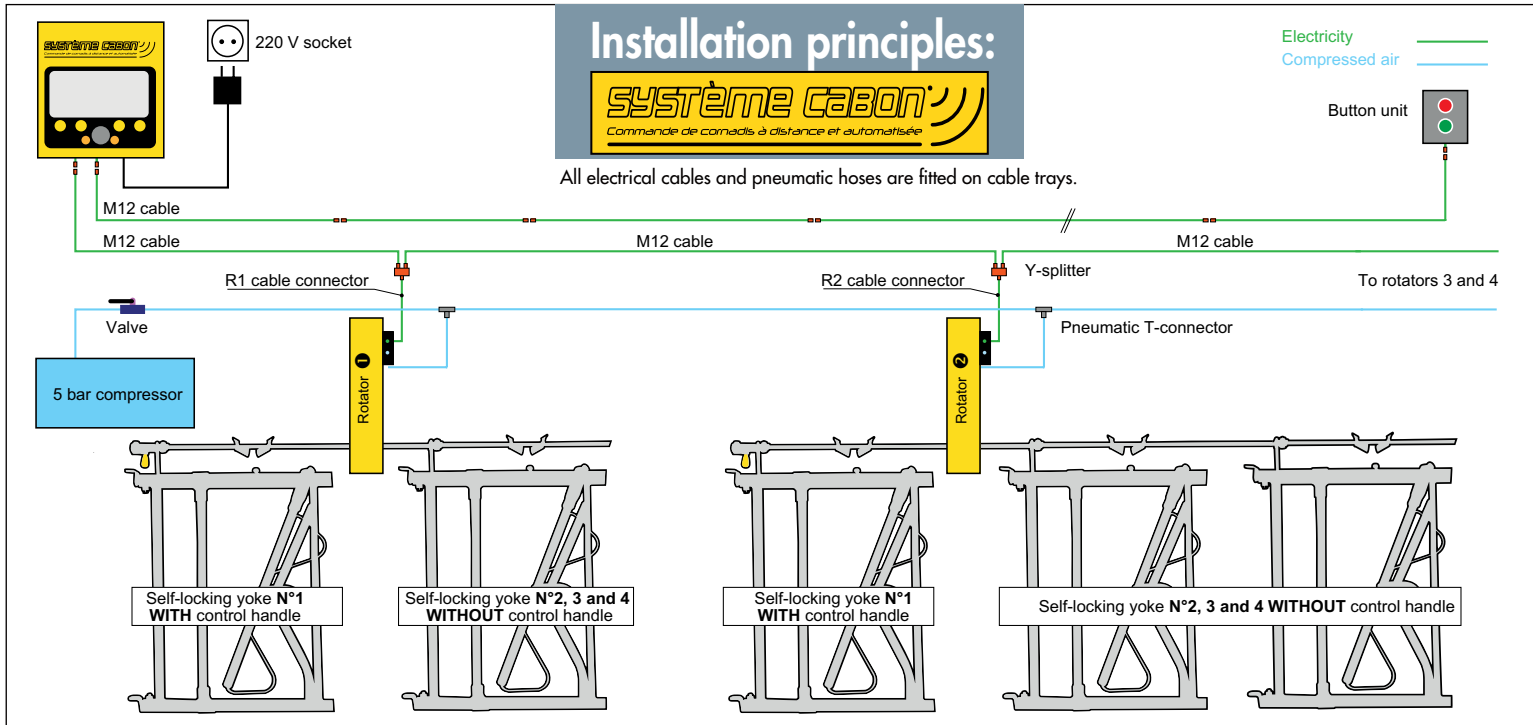


*Flexibility  
and safety of use  
thanks to pneumatics*



**New** Self-locking yoke panel automatic opening and closing system

The size of herds on farms are becoming ever larger. Breeders are looking for new ways to reduce work time and improve herd safety. Our CABON self-locking yoke opening/closing system developed and perfected over 3 years of real life operations meets these objectives.



**Rules to respect when installing a CABON SYSTEM on a yoke panel line.**

- 1) One Cabon unit can handle 4 rotators. One rotator can ideally handle up to 35 places.
- 2) Ensure perfect alignment of the self-locking yoke control bars on the same line handled by one rotator. Once they are all linked together, handling of the ensemble with a single knob must be able to be easily carried out one-handed.
- 3) Foresee a 220V socket in proximity to the central digital unit.
- 4) Do not exceed 4 Rotators per CABON central unit.
- 5) Always start up a self-locking yoke line via one manual handle (fit with stainless steel hook delivered with each rotator), the latter, in the case of a loss of electrical or pneumatic power, means you can manually operate the line.
- 6) Well protect both the air and 24V supply from the cattle.
- 7) Fix the cable tray for the pneumatic hose and 24V at a height of 2.5 to 3 m, according to needs, to allow passage of animals or tractor...

# Composition of the CABON system



## CABON STARTER KIT

It comprises ► **1 central "CABON" unit**  
Digital and easy to use, it handles a maximum of 4 pneumatic rotators.

**Its functions:** 4 control buttons

1 per rotator, thus by group of around 35 places for example, 5 self-locking yokes of 7 places or 4 self-locking yokes of 8 places.

For even larger needs, additional units can be installed and linked together.

**Programming:** it is possible to adjust the time delays directly on the unit that handles the self-locking yoke opening and closing time. Adjustment by 1 minute steps via a short press or 5 minute steps via one long press.

**Safety:** in case of power cuts the CABON system is programmed to open the ensemble of self-locking yokes.

The CABON central unit is delivered with:

- 1 pneumatic hose - Length 100 m - Ø 8 mm
- 4 cables R1, R2, R3 and R4 - Length 5 m - for linking rotators to M12 cable,
- 1 pneumatic valve,
- 1 T-connector Ø 8 mm
- 2 pneumatic T-connectors (Ø 8 mm and Ø10 mm) for connection to the installation.

### ► 1 rotator

Operates by a compressed air actuator (pressure 4-6 bars) and is protected by a metal housing. The mechanism can be adapted at any time on the control bars and with all brands of self-locking yokes (via an adaptor kit).

Fixes in the axis of the self-locking yoke without any obstructing protuberances and protects the cattle. Use one rotator per 35 places approximately (varies depending on fitting quality)

The rotator is delivered with:

- 1 x M12 cable - length 25 m,
- 1 Y-splitter,
- 1 stainless steel hook and bolting to lock self-locking yoke handle,
- 1 T-connector Ø 8 mm,

The ensemble is delivered complete in a carton.

The starter kit can handle up to 3 additional rotators

(ref. 115 30 07) to the central CABON unit depending on the installation.



**Product advantages:**  
Fast to implement  
Ready to be plugged in



| Designation       | Reference (per unit) | Col. | Price Ex. VAT |
|-------------------|----------------------|------|---------------|
| CABON starter kit | 115 30 01            |      |               |

## ADDITIONAL CABON ROTATOR

Delivered with:

- 1 stainless steel hook and bolts to fasten the self-locking yoke handle,
- 1 electrical cable M12 - Length 25 m,
- 1 Y-splitter,
- 1 T-connector Ø 8 mm

The ensemble delivered complete in a carton.

| Designation              | Reference (per unit) | Col. | Price Ex. VAT |
|--------------------------|----------------------|------|---------------|
| CABON additional rotator | 115 30 07            |      |               |



## CABON KEY PAD

Repeater button opening and closing the ensemble of self-locking yokes. This also triggers the time switch if it has been programmed.

Suits your work needs and habits anywhere, in installations, or at the end of the line.



| Designation       | Reference (per unit) | Col. | Price Ex. VAT |
|-------------------|----------------------|------|---------------|
| CABON button unit | 115 30 05            |      |               |

## PNEUMATIC HOSE Ø 8 MM

Additional reel in case of need of length greater than the 100 m reel supplied in original starter kit.



| Designation                                  | Length | Reference (per reel) | Col. | Price Ex. VAT |
|--|--------|----------------------|------|---------------|
| Additional reel Pneumatic hose Ø 8mm L. 100m | 100 m  | 115 30 15            |      |               |

## Contact us !

**Our technical team is at your disposal to advise you, supply quotes and show you around our pilot installations.**

## M12 M/F ELECTRICAL CABLE

To link CABON unit to button unit, Order depending on the length of the installation.



| Designation   | Length | Reference (per packet) | Col. | Price Ex. VAT |
|---|--------|------------------------|------|---------------|
| Electrical extension cable M12 M/F Length 5m                          | 5 m    | 115 30 11              |      |               |
| Reel of electrical cable M12 M/F L. 25m Unit - CABON button unit link | 25 m   | 115 30 09              |      |               |

## CABON Y-SPLITTER

For connection of 2 M12 cables from CABON unit output. Used only if there are 2 button units installed on the self-locking yoke line.



| Designation      | Reference (per unit) | Col. | Price Ex. VAT |
|------------------|----------------------|------|---------------|
| CABON Y-splitter | 115 30 13            |      |               |

patented

# COMFORT LR SELF-LOCKING YOKE



## “COMFORT LR” SELF-LOCKING YOKE WITH WIDE ADJUSTABLE NECK OPENING FOR SMALL HORNED OR DEHORNED CATTLE

“Comfort LR” self-locking yoke  
Suckling beef cattle type yoke, wide neck opening model,  
adjustable width with noise prevention.  
For cattle with small horns.

PATENTED single stopper plastic coated  
mechanism. used to block the moving bars,  
highly effective and silent thanks to a Teflon large  
diameter spacer.

### Reliable and robust



system to block the control  
bar with the stoppers,  
secured by a guillotine  
mechanism with a plastic  
coated grip.



possibility to close  
space per space when  
fully opening the yoke  
thanks to the standard  
passage of shafts on the  
upper parts of the beam  
and the moving bars.



### “COMFORT LR” 1 SPACE 1 METRE



### “Comfort LR” self-locking yoke with wide head passage.



delivered with a standard  
adjustable wing tip that can be  
extended by turning it over.

### System

PATENTED “elastic  
spring” adjustable  
using a rack fitted to each  
moving bar for an automatic  
return to the open position. Moving bar shaft  
fitted with a reinforcement ring to limit wear  
over the long term.



moving bar with head  
passage prevention in  
the top and bottom  
part also avoiding the  
snagging of DAL  
collars.



moving bar fitted  
with a noise  
prevention buffer to  
limit animal  
stress.



### “Comfort LR” self-locking yoke

| Number of spaces | Length | LR model with adjustable neck opening | Pack | Weight kg | Price ex. VAT |
|------------------|--------|---------------------------------------|------|-----------|---------------|
| 1 space          | 1 m    | 115 31 31                             |      | 25        |               |
| 5 spaces         | 4 m    | 115 31 33                             |      | 100       |               |
| 7 spaces         | 5 m    | 115 31 37                             |      | 143       |               |
| 8 spaces         | 6 m    | 115 31 41                             |      | 184       |               |

Design your installation yourself  
using our software



bovi3d.com

Our self-locking yokes are fitted with intermediate reinforcements for embedding,  
1 reinforcement for the 3, 4 and 5 m models and 2 for the 6 m models



# COMFORT SR SELF-LOCKING YOKE KIT SELF-LOCKING YOKE ACCESSORIES



## "COMFORT SR KIT" SELF-LOCKING YOKES

To build bespoke standard SR yokes with adjustable neck openings. Each 1 space kit includes the materials needed to build a yoke for which a girder kit and control bar of a length as close as possible to the required size should be ordered.

### SR, SF and LR self-locking yoke accessories

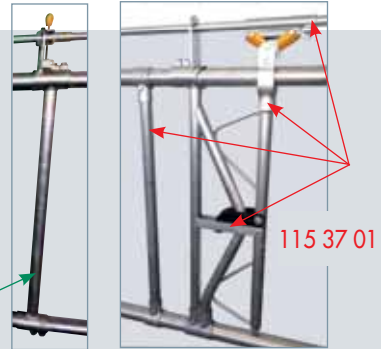
| Description  | Code                 | Pack | Weight kg | Price ex. VAT |
|--|----------------------|------|-----------|---------------|
| End straight piece Ø 50 mm   | 115 05 15            |      | 1.2       |               |
| Man passage yoke end L. 1 m  | 115 05 16            |      | 31        |               |
| Post facade plate tip  | 115 05 17            |      | 2.4       |               |
| Man passage yoke end L. 0.60 m   | 115 05 18            |      | 18        |               |
| Interior plate end post L. 21 cm   | 115 05 19            |      | 1.2       |               |
| Inner L-shaped plated end for post   | 115 05 20            |      | 1.2       |               |
| End piece Total L. to the fastening shaft 293 mm   | 115 05 21            |      | 1         |               |
| LR or SR length adapter kit  | 115 05 22            |      | 4         |               |
| Control bar connection   | 115 05 23            |      | 0.4       |               |
| Extended end piece, total length to the fastening axis of 503 mm   | 115 05 24            |      | 1.8       |               |
| Bag containing a pair of offset fixings  | 115 05 25            |      | 1         |               |
| Extended end with Interior plate for post L. 46 cm   | 115 05 26            |      | 1.9       |               |
| Reinforced polymer stopper for SR/SF SRS and Junior self-Locking yokes   | <b>New</b> 115 05 28 |      |           |               |
| Bag containing 10 spare noise prevention pads  | 115 05 29            |      | 0.1       |               |
| Spare PATENTED elastic spring system   | 115 05 30            |      | 0.2       |               |
| Double end with extended finned end, total length to the fastening axis of 503 mm                              | 115 05 31            |      | 6         |               |
| Additional reinforcement for embedding for confort SR-SR-LR yokes  | 115 05 32            |      | 1.4       |               |
| Ø 42 mm neck opening bar with 60/42 mm shell for confort yoke neck opening                                     | 115 05 33            |      | 5         |               |
| Ø 42 mm neck opening bar with 48/42 mm shell for double extended finned end code 115 05 31                     | 115 05 34            |      | 5         |               |
| Barrier support for slope-mounted yokes  | 115 05 36            |      | 9         |               |
| Barrier support for straight mounted yokes   | 115 05 38            |      | 8         |               |
| SR, SF and LR yoke reinforcement for low walls   | 115 05 39            |      | 2         |               |
| Reinforcement to embed with shell Ø 42 mm for SR confort self-Locking yoke for calves and feed barrier Ø 42 mm | <b>New</b> 115 05 40 |      | 1         |               |
| 90x90 mm post th. 3 mm H. 1.96 m to fixed inclined yokes   | 115 21 73            |      | 15        |               |

### SR SELF-LOCKING YOKE KIT

Caution, beyond a spacing of 720 mm per space, plan for a second neck opening bar with a shell per space Code 115 05 33.

It is necessary to use intermediate reinforcement bars code 115 05 32 for lengths over 5 m.

⚠ The frame tube is delivered without end piece. **4 extended end pieces code 115 05 24** are mandatory to be ordered for each self-locking yoke.

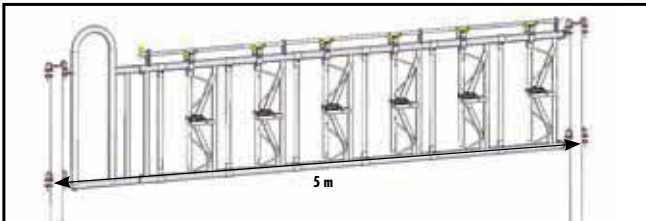


| "Comfort SR kit" self-locking yoke            | Pack      | Weight kg | Price ex. VAT |
|---|-----------|-----------|---------------|
| Comfort SR Kit yoke space                     | 115 37 01 | 13        |               |
| Finishing tip with grip for yoke kit          | 115 37 05 | 5         |               |
| Reinforcement for embedding starting from 5 m | 115 05 32 | 1.4       |               |

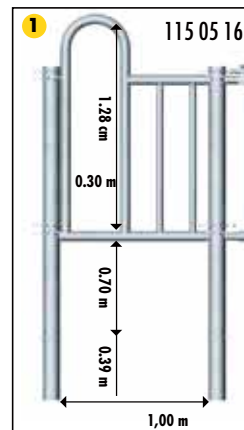
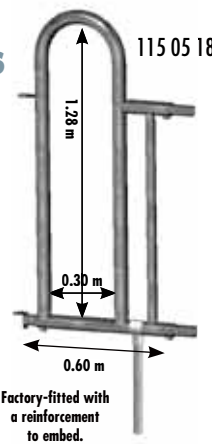
  

| SR kit self-locking yoke girders and control bars                         | Pack      | Weight kg | Price ex. VAT |
|---|-----------|-----------|---------------|
| 2 frame tubes Ø 60.3 mm Thick. 3.2 mm + 1 Ø 27 mm tube control bar L. 2 m | 115 37 07 | 23        |               |
| 2 frame tubes Ø 60.3 mm Thick. 3.2 mm + 1 Ø 27 mm tube control bar L. 3 m | 115 37 09 | 34        |               |
| 2 frame tubes Ø 60.3 mm Thick. 3.2 mm + 1 Ø 27 mm tube control bar L. 4 m | 115 37 11 | 46        |               |
| 2 frame tubes Ø 60.3 mm Thick. 3.2 mm + 1 Ø 27 mm tube control bar L. 5 m | 115 37 13 | 57        |               |
| 2 frame tubes Ø 60.3 mm Thick. 3.2 mm + 1 Ø 27 mm tube control bar L. 6 m | 115 37 15 | 67        |               |
| Additional bar with 60/42 mm shell for Confort yoke neck opening          | 115 05 33 | 5         |               |

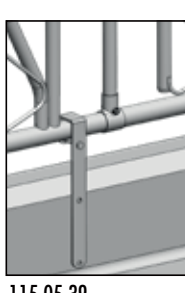
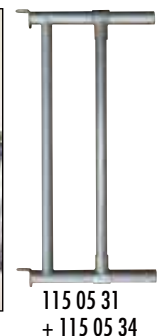
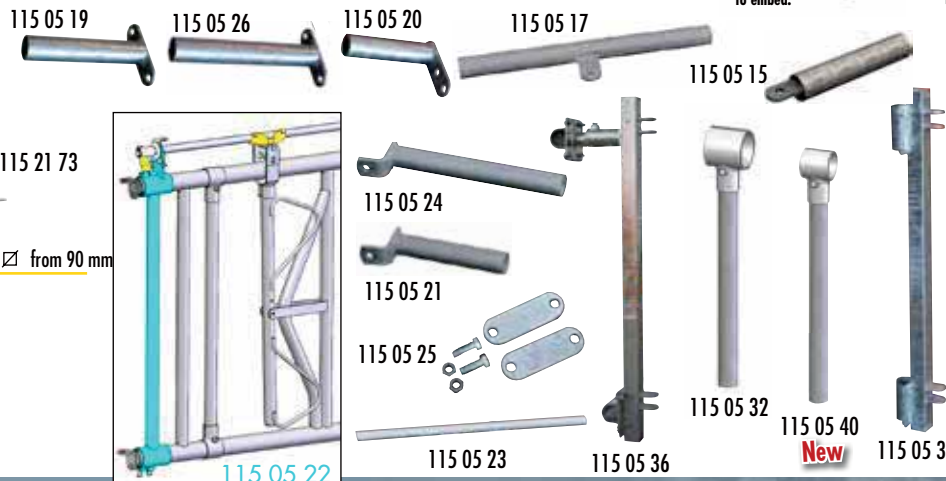
### ACCESSORIES FOR SR, SF AND LR SELF-LOCKING YOKES



Example of a Comfort SR 6 space yoke of 4.40 m (Code 115 31 06) assembled with the yoke 0.60 m man passage option (Code 115 05 18) for a total length of 5 m.  
Example. - SR 4.40 m + 0.60 m = 5 m spacing  
Example. - SR 5.40 m + 0.60 m = 6 m spacing



- 1 - Mixed man 1 metre passage / gate yoke end used as a gate with an intermediate post.
- 2 - Yoke end used fixed and fitted into the yoke.



# PRO-SWEDISCH SELF-LOCKING YOKE



## “PRO-SWEDISCH” SELF-LOCKING YOKES THE STRONGEST ON THE MARKET

Our line of “Pro-Swedish” self-locking yokes was specifically designed to be very strong for large sized horned cattle and bulls.

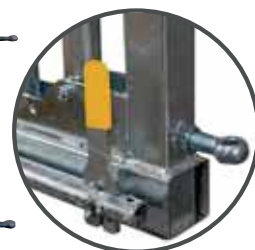
Our self-locking yokes can be recognised from their manufacture using a single 80 x 80 beam frame with crossing hoops. This design makes it possible to obtain very strong yokes with full clearance of the top part.



Reinforced balance shaft guided in a sheath

**Special horned cattle MODEL 80 x80 mm beam Crossing hoops**

Wide clearance thanks to the sloping hoops



The yoke control bar in the low position and protected by the yoke upright. Very flexible to use.



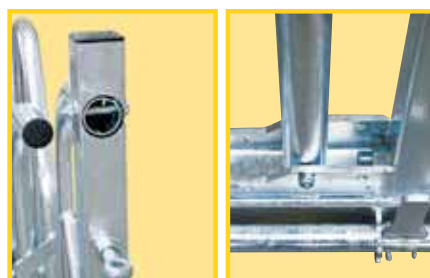
The entire locking mechanism is very silent thanks to the use of an EPDM stopper that comes into contact with the Ertalon sleeve in the locking position.



A sleeve made from Ertalon slides inside the moving bar, having a collar passage prevention effect.



In the folded position, the moving bar moves into the tombstone area avoiding any hindrance to the animals.



**Adjustable neck opening bull space**



Cut-off corner hoops that improve the clearance for young cattle access

# PRO-SWEDISCH SELF-LOCKING YOKE



**Reliable and  
robust**



## PRO-SWEDISCH SELF-LOCKING YOKE 1 SPACE - 1 METRE



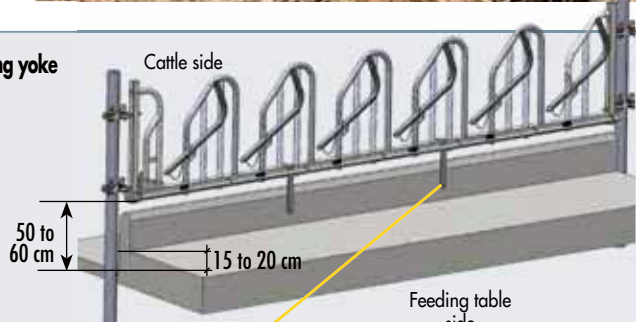
**Adjustable neck opening  
bull space**



### Installation advice for the Pro-Swedisch self-locking yoke



Optional extra:  
Pro-Suèdois  
base kit  
115 35 23



Optional extra: Pro-Suèdois wall  
mount fixing bar 115 35 25

For installation in aisles, these  
specifically total sized self-locking yokes  
are designed to be fitted on the surface of  
posts (and not between posts)

### "Pro-Swedisch" self-locking yoke

| Number of spaces                                   | Number of reinforcements       | Length | Code      | Bull space | Pack | Weight kg | Price ex. VAT |
|--|--------------------------------|--------|-----------|------------|------|-----------|---------------|
| 1 space  | /                              | 1 m    | 115 35 01 | with       |      | 39        |               |
| 3 spaces   | 1 reinforcement for embedding  | 2.50 m | 115 35 03 | with       |      | 80        |               |
| 4 spaces   | 1 reinforcement for embedding  | 3 m    | 115 35 05 | without    |      | 98        |               |
| 5 spaces   | 1 reinforcement for embedding  | 4 m    | 115 35 07 | with       |      | 127       |               |
| 6 spaces   | 2 reinforcements for embedding | 5 m    | 115 35 09 | with       |      | 160       |               |
| 7 spaces   | 2 reinforcements for embedding | 5 m    | 115 35 11 | without    |      | 164       |               |
| 8 spaces   | 2 reinforcements for embedding | 6 m    | 115 35 13 | without    |      | 191       |               |
| Additional Pro-Suèdois reinforcement for embedding |                                |        | 115 35 21 |            |      | 2.8       |               |
| Pro-Suèdois base kit                               |                                |        | 115 35 23 |            |      | 5         |               |
| Pro-Suèdois wall mount fixing bar                  |                                |        | 115 35 25 |            |      | 2.2       |               |

**Our self-locking yokes are fitted with intermediate reinforcements for embedding, 1 reinforcement for the 4 m model and 2 for the 5 and 6 m models**

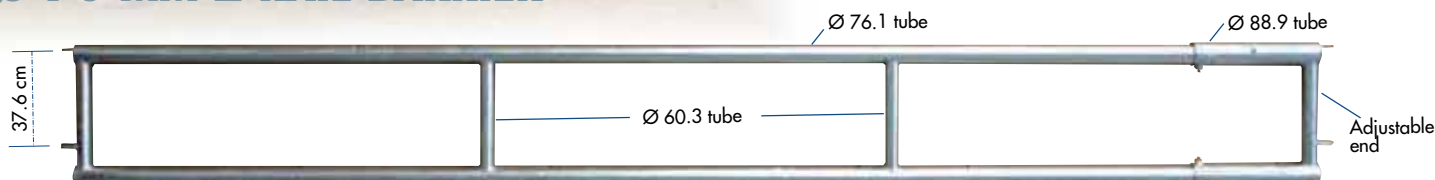


# FEED BARRIER 2 and 3 rails Ø 76 and 2 rails Ø 60,3 mm



Made from wide cross section tube, these mechanically welded barriers are hot-dip galvanised after their manufacture.  
Possibility of having smaller sizes by cutting the barrier body. Fitted with an extendible end to make installation easier.

## Ø 76 MM 2 RAIL BARRIER



Fitted as a standard with an adjustable end used to adjust the length of the barrier when it is installed.

Must be installed in front of the posts on the feeding side.

| Description                                    | Code      | Pack | Weight kg | Price ex. VAT |
|--|-----------|------|-----------|---------------|
| <b>Feed barriers with 2 rails Ø 76 mm</b>      |           |      |           |               |
| Feed barrier with 2 rails Ø - 4 m              | 115 11 00 |      | 52.5      |               |
| Feed barrier with 2 rails Ø - 5 m              | 115 11 01 |      | 65        |               |
| Feed barrier with 2 rails Ø - 6 m              | 115 11 03 |      | 81        |               |
| Additional end for 2 rail Ø 76 mm feed barrier | 115 11 11 |      | 9         |               |

### Installation advice

Assembly example on posts Ø 102 mm.

Assembly example on wood posts 200 x 200 mm.

From 1 to 1.20 m or 10 cm under to the withers

from 45 to 55 cm

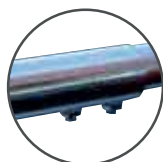
18 to 20 cm

From 15 to 18 cm

## FEED BARRIER 3 RAILS Ø 76 MM with adjustable Ø 60.3 mm centre rail



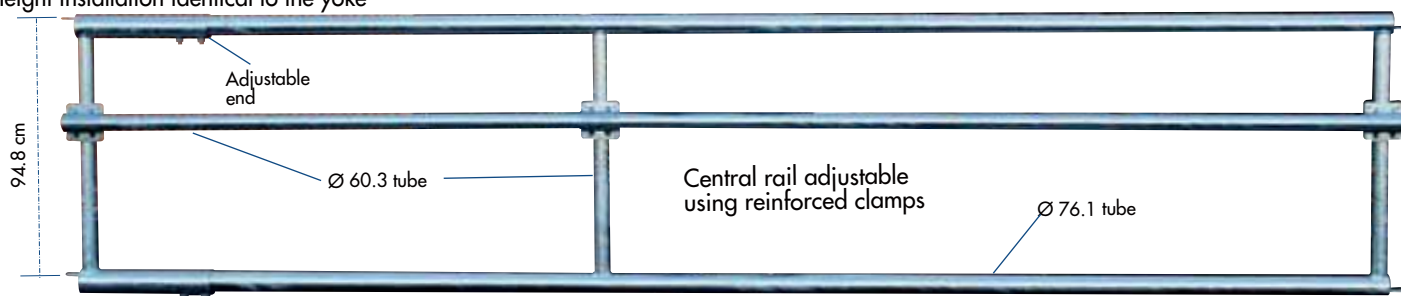
Fitted as a standard with an adjustable end used to adjust the length of the barrier when it is installed.



Sturdy fixture to the standard spacing of barriers and yokes. The adjustable end is locked using cage nuts in the top and bottom parts.

Height installation identical to the yoke

| Description  | Code      | Pack | Weight kg | Price ex. VAT |
|--|-----------|------|-----------|---------------|
| <b>Feed barriers Ø 76 mm 3 rails. 1 adjustable Ø 60.3 mm</b> |           |      |           |               |
| Feed barriers with 3 rails - 4 m                             | 115 11 05 |      | 78        |               |
| Feed barriers with 3 rails - 5 m                             | 115 11 07 |      | 93        |               |
| Feed barriers with 3 rails - 6 m                             | 115 11 09 |      | 118       |               |
| Additional rail option Ø 60.3 mm L 6 m with 3 clamps         | 115 11 10 |      | 29        |               |



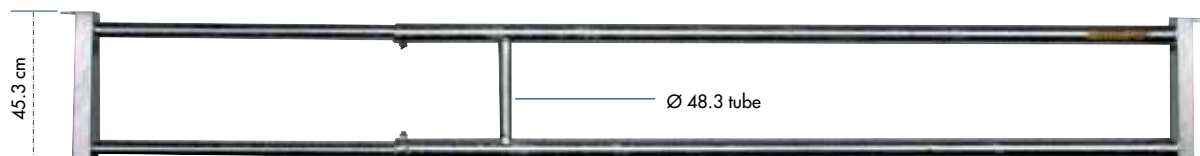
## Ø 60.3 MM 2 RAIL EXTENDIBLE BARRIER

This barrier with 2 extendible rails is multi-purpose, it can be used either:

- as a feed barrier in front of troughs for young cattle.
- or as an aisle separation for cubicles, fixed to the specific 2 rail barrier supports.



| Description                                       | Code      | Pack | Weight kg | Price ex. VAT |
|---|-----------|------|-----------|---------------|
| <b>Ø 60.3 mm barriers with 2 extendible rails</b> |           |      |           |               |
| Ø 60.3 mm barrier with 2 extendible rails - 2/3 m | 115 09 11 |      | 28        |               |
| Ø 60.3 mm barrier with 2 extendible rails - 3/4 m | 115 09 13 |      | 36        |               |
| Ø 60.3 mm barrier with 2 extendible rails - 4/5 m | 115 09 15 |      | 45        |               |
| Ø 60.3 mm barrier with 2 extendible rails - 5/6 m | 115 09 17 |      | 52        |               |



# HOOPED AND OBLIQUE SELF-SERVICE BARRIERS Ø 60,3 mm



## Ø 60.3 MM HOOPED SELF SERVICE BARRIER

Height installation identical to the yoke



Self-service fitted with 4 adjustable end pieces making it possible to adjust the length of the panel when it is installed

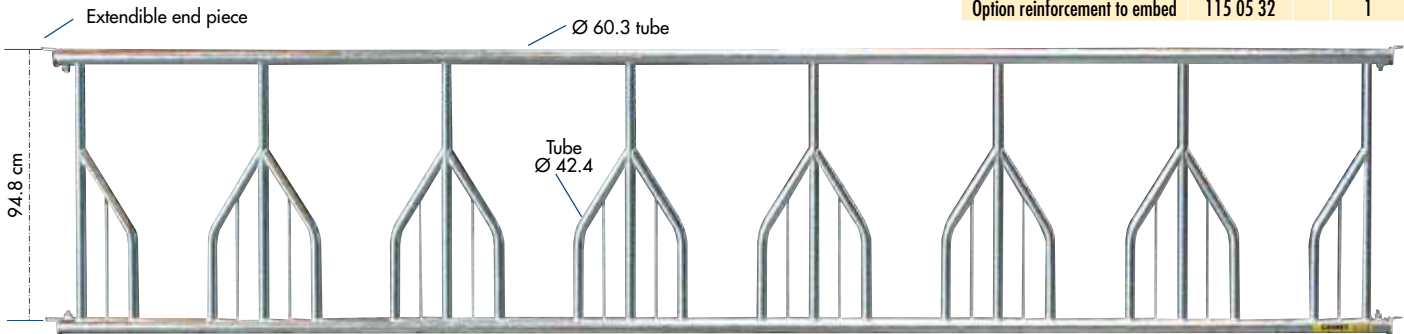
| Description  | Code      | Pack | Weight kg | Price ex. VAT |
|--|-----------|------|-----------|---------------|
| <b>Ø 60.3 mm hooped self service</b>                 |           |      |           |               |
| Self service 3 m - 4 spaces                          | 115 11 21 |      | 47        |               |
| Self service 4 m - 6 spaces                          | 115 11 23 |      | 67        |               |
| Self service 5 m - 7 spaces                          | 115 11 25 |      | 84        |               |
| Self service 6 m - 8 spaces                          | 115 11 27 |      | 105       |               |
| <b>Ø 60.3 mm hay rack hooped self service panel*</b> |           |      |           |               |
| Self service 1.83 m - 3 spaces                       | 115 05 48 |      | 35        |               |
| Self service 2.84 m - 4 spaces                       | 115 05 52 |      | 44        |               |

RTLS and RDTLS hay rack panels with fixed end pieces. possibility of fitting an adjustable end piece with counter-drilling. see page 27.

| Description                   | Code      | Pack | Weight kg | Price ex. VAT |
|-------------------------------|-----------|------|-----------|---------------|
| Option reinforcement to embed | 115 05 32 |      | 1         |               |

### INSTALLATION ADVICE

For the use of hoop and oblique barriers with lengths over 4 m, we highly recommend the option reinforcement to embed (115 05 32)



## OBLIQUE Ø 60.3 MM - 42.4 MM BARRIER

Delivered with 4 standard winged ends. Height installation identical to the yoke

| Description  | L. head passage A | Code      | Pack | Weight kg | Price ex. VAT |
|--|-------------------|-----------|------|-----------|---------------|
| <b>Ø 60.3 mm and 42.4 mm feed barriers</b>           |                   |           |      |           |               |
| 2.50 m - 4 spaces                                    | 395 mm            | 115 09 05 |      | 32        |               |
| 3 m - 6 spaces                                       | <b>New</b> 330 mm | 115 09 06 |      | 46        |               |
| 4 m - 8 spaces                                       | <b>New</b> 364 mm | 115 09 00 |      | 61        |               |
| 5 m - 10 spaces                                      | 382 mm            | 115 09 01 |      | 70        |               |
| 6 m - 12 spaces                                      | 395 mm            | 115 09 03 |      | 88        |               |
| 5m - 13 spaces                                       | 285 mm            | 115 09 04 |      | 77        |               |
| 3 space oblique panel 1.83 spacing for RTO hay rack* |                   | 115 05 53 |      | 32        |               |

\* RTO hay rack panels with fixed ends. possibility of fitting an adjustable end with counter-drilling. see page 27.



Barrier fitted with 4 adjustable end pieces to adjust the barrier length when it is installed

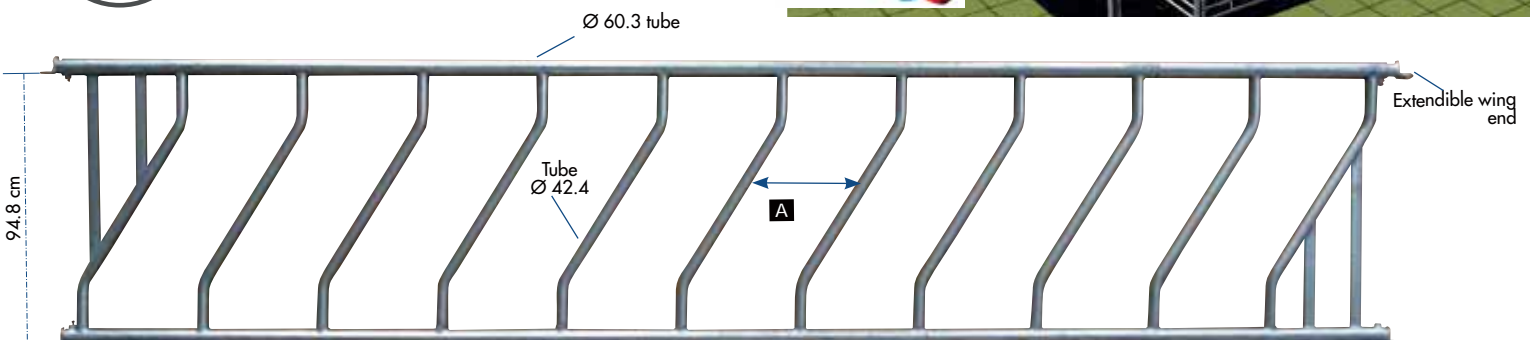
| Description                   | Code      | Pack | Weight kg | Price ex. VAT |
|-------------------------------|-----------|------|-----------|---------------|
| Option reinforcement to embed | 115 05 32 |      | 1         |               |

**Benefit from technical advice from our team which is specialised in fitting out cattle raising building**

Design your own installation using our specialised software



bovi3d.com



## Ø 102 round posts and accessories

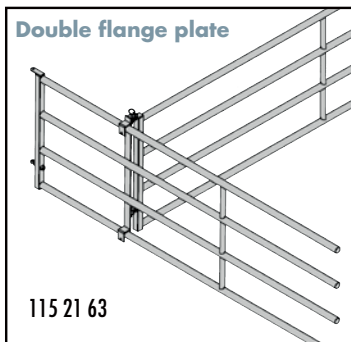
| Description  | Code      | Pack | Weight | Price ex. VAT |
|--|-----------|------|--------|---------------|
| Pot of 1 kg of bituminous coating paint for embedded posts | 112 19 09 |      |        |               |
| Pot of 5 kg of bituminous coating paint for embedded posts | 112 19 11 |      |        |               |

## Ø 102 mm post - thickness 4 mm

|  |          |           |      |  |
|--|----------|-----------|------|--|
| Bare post to embed                                       | H.2.13 m | 115 21 07 | 21   |  |
| Bare post on a plate                                     | H.1.68 m | 115 21 08 | 20   |  |
| Bare extended post to embed                              | H.2.51 m | 115 21 51 | 24   |  |
| Bare extended post on a plate                            | H.1.98 m | 115 21 53 | 23   |  |
| Post - 1 dir.  | H.2.13 m | 115 21 09 | 22   |  |
| Post - 2 dir. 90°  | H.2.13 m | 115 21 11 | 24   |  |
| Post - 2 dir. face to face                               | H.2.13 m | 115 21 13 | 24   |  |
| Post - 3 dir.  | H.2.13 m | 115 21 15 | 24.5 |  |
| Post - 4 dir.  | H.2.13 m | 115 21 16 | 25   |  |
| Orange sealing cap for Ø 102 mm post                     |          | 115 21 24 | 0.2  |  |
| Counter plate only thickness 8 mm for plate mounted post |          | 115 21 54 | 2.6  |  |
| Indexing bushing for 2.13 m post                         |          | 115 21 43 | 5    |  |
| Round bushing cap  |          | 115 21 27 | 1    |  |
| Pin and chain  |          | 115 21 45 | 0.2  |  |
| Double flange fixing plate                               |          | 115 21 63 | 9    |  |

## Ø 102 mm reinforced post - thickness 5 mm

|  |                   |           |      |  |
|--|-------------------|-----------|------|--|
| Bare reinforced post to embed                        | extended H.2.51 m | 115 21 06 | 28.5 |  |
| Bare reinforced post to embed                        | H.2.13 m          | 115 21 10 | 27.3 |  |
| Bare reinforced post H.1.98 m on 200 x 200 mm plate. |                   | 115 21 12 | 29   |  |
| Bare reinforced post H.1.68 m on 200 x 200 mm plate. |                   | 115 21 52 | 26   |  |



to install barriers on Ø 60.3 mm barriers 4 or 5 rails

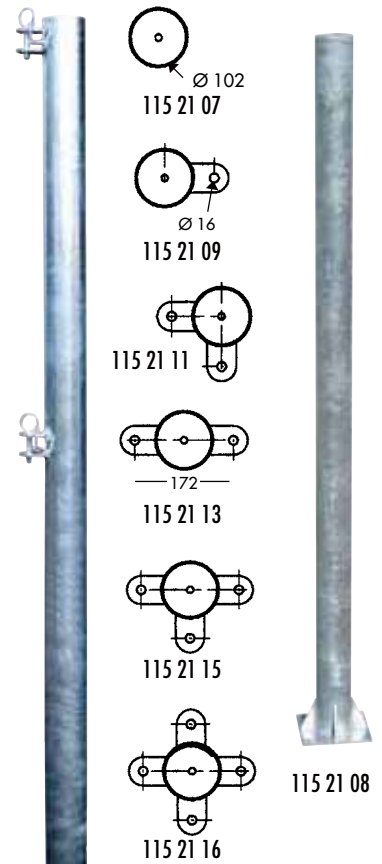
**N.B.:** Due to the aggressive nature of silage, manure and electrostatic phenomena on zinc and steel, it is essential to apply bituminous paint of the Blackson type on the foot of the galvanised posts before use. to be renewed regularly (Code 112 19 11) It is also essential to ground the building.

## Ø 102 MM ROUND POST

The posts on plates are designed for installations of non opening panels. They must be fitted on suitable concrete slabs. A minimum thickness of 15 cm using correctly dosed concrete is therefore recommended.

The installation of reinforced posts on plates must be carried out using 4 Ø 16 mm mechanical anchors. This post makes it possible to install opening panels or barriers of a maximum length of 4 to 5 m.

A complete range of round posts diam. 102 mm from 1 to 4 directions.



## TUBULAR DRINKING TROUGH MODULES

AVOID THE CHORE OF USING MASONRY

Visibility, protection and perfect inclusion of the drinking point in the tubular installation

**The single module :** for tipping POLYBAC LA GÉE 30 M or POLYTHERME 40 M with a bowl or a ball.

**The double module :** For tipping POLYBAC LA GÉE 75 M or POLYTHERME 75 M with 2 bowls or 2 balls or rectangular 175 M POLYBAC.

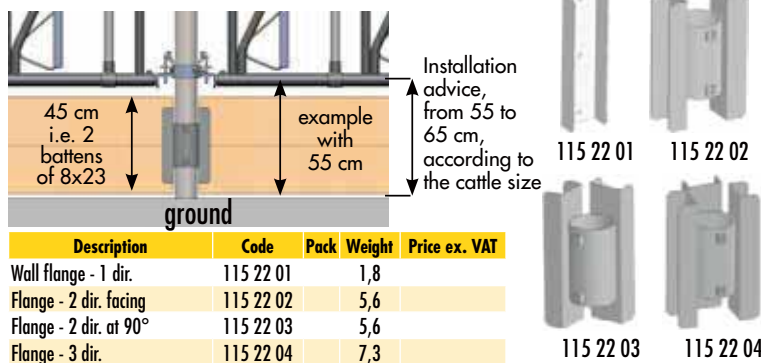
| Description                    | Code      | Pack | Weight | Prix HT |
|--------------------------------|-----------|------|--------|---------|
| Single tubular drinking module | 115 21 91 |      | 29     |         |
| Double tubular drinking module | 115 21 93 |      | 35     |         |



## JOIST'S SUPPORT FLANGES

FOR FEEDING TABLES

Eases a quick assembly and disassembly of the substructures. Designed for bare Ø 102 mm post.



| Description            | Code      | Pack | Weight | Price ex. VAT |
|------------------------|-----------|------|--------|---------------|
| Wall flange - 1 dir.   | 115 22 01 |      | 1,8    |               |
| Flange - 2 dir. facing | 115 22 02 |      | 5,6    |               |
| Flange - 2 dir. at 90° | 115 22 03 |      | 5,6    |               |
| Flange - 3 dir.        | 115 22 04 |      | 7,3    |               |

## SQUARE POST 90 MM

### The square 90 mm posts - th. 4 mm

| Description                                    | Code      | Pack | Weight | Price ex. VAT |
|--|-----------|------|--------|---------------|
| Bare square 90 mm posts - H 2.10 m             | 115 23 01 |      | 24     |               |
| Bare square 90 mm posts - H 2.50m              | 115 23 03 |      | 28     |               |
| Bare square 90 mm posts - H 1.70 m on a plate  | 115 23 05 |      | 18     |               |
| Square 88 mm sealing cap for square 90 mm post | 115 23 07 |      | 0,2    |               |
| Square 100 mm sheath for square 90 mm post     | 115 23 11 |      | 4      |               |
| Square bushing cap                             | 115 23 13 |      | 1,1    |               |



A complete range of 90 mm square posts and accessories.  
Ideal for use where there is a strong thrust from the animals.



## INNOVATION

### FLANGES

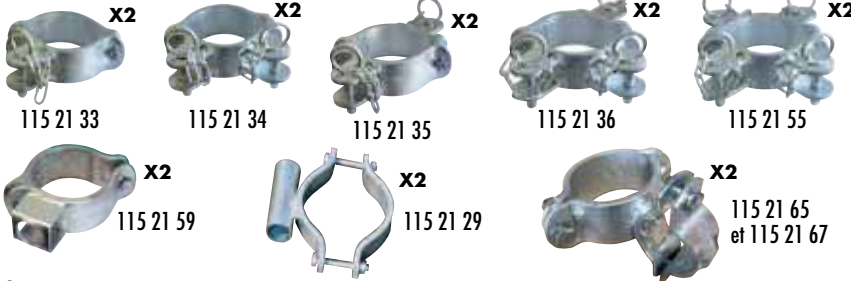
for Ø102mm posts.  
Reinforced design by  
the assembly of flange  
plates on H. 60 mm  
flanges

All our flanges ø 76 and 102 mm are designed with a stamp in order to obtain a protruding anti-rotation spike on the side post with reinforcements during screw slot



**Anti-rotation**

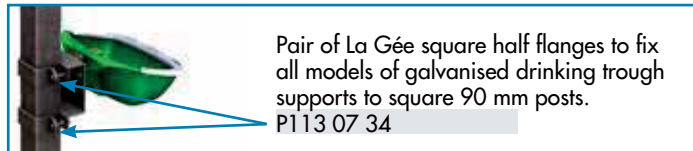
### PAIRS OF FLANGES Ø 102 MM (= 2 flanges)



### 1/2 FLANGES Ø 102 MM



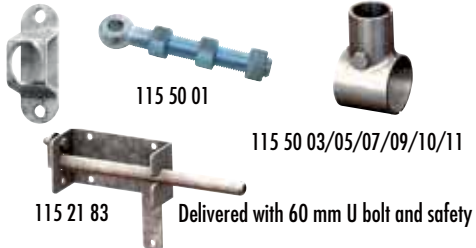
### 1/2 FLANGES Ø 90 MM



Pair of La Gée square half flanges to fix all models of galvanised drinking trough supports to square 90 mm posts.  
P113 07 34



115 21 31 front or side bolt reception



| Description   | Code              | Pack | Weight | Price ex. VAT |
|---|-------------------|------|--------|---------------|
| <b>Pairs of flanges and half-flanges for round Ø 102 mm posts</b> |                   |      |        |               |
| 1/2 flange - bare <b>New</b>                                      | 115 21 75         |      | 0,8    |               |
| Pair of flanges - 1 dir.  | 115 21 33         |      | 4      |               |
| Pair of flanges - 2 dir. at 90°                                   | 115 21 34         |      | 5,1    |               |
| Pair of flanges - 2 dir. face to face                             | 115 21 35         |      | 5,1    |               |
| Pair of flanges - 3 dir.  | 115 21 36         |      | 6      |               |
| Pair of flanges - 4 dir.  | 115 21 55         |      | 7      |               |
| Pair of flanges for Ø 60.3 mm tubes                               | 115 21 65         |      | 4      |               |
| Pair of flanges for Ø 76.1 mm tubes                               | 115 21 67         |      | 5      |               |
| Pair of flanges with a single bolt on the side                    | 115 21 29         |      | 3,8    |               |
| Pair of flanges with a single bolt in the shaft                   | 115 21 59         |      | 3,3    |               |
| 1/2 flange - bare - PACK OF 40 <b>New</b>                         | 115 21 75 PACK    |      | 33     |               |
| 1/2 flange - 1 dir. - PACK OF 20 <b>New</b>                       | 115 21 77 PACK    |      | 25,5   |               |
| 1/2 flange - 2 dir. - PACK OF 20 <b>New</b>                       | 115 21 78 PACK    |      | 37     |               |
| 1/2 flange - bare - SURPACK OF 360 <b>New</b>                     | 115 21 75 SURPACK |      | 297    |               |
| 1/2 flange - 1 dir. - SURPACK OF 120 <b>New</b>                   | 115 21 77 SURPACK |      | 153    |               |
| 1/2 flange - 2 dir. - SURPACK OF 120 <b>New</b>                   | 115 21 78 SURPACK |      | 222    |               |
| 1/2 flange - 1 bolt in the shaft - Ø 102 mm                       | 115 21 79         |      | 0,9    |               |
| 1/2 flange - 2 bolts in the shaft - Ø 102 mm                      | 115 21 81         |      | 1,1    |               |
| 1/2 flange - 1 bolt - 1 dir. - Ø 102 mm                           | 115 21 82         |      | 1,5    |               |
| 1/2 flange Ø 102 mm to receive auto bolt                          | 115 21 88         |      | 0,8    |               |
| Wall plate to receive auto bolt                                   | 115 21 90         |      | 0,8    |               |

| <b>Various accessories, flanges, plates, etc.</b> |                   |  |      |  |
|---|-------------------|--|------|--|
| Ø 60.3 mm bar - Length 6 m                        | 115 21 69         |  | 20   |  |
| Ø 76.1 mm bar - Length 6 m                        | 115 21 71         |  | 24   |  |
| Pair of single flanges                            | 115 21 01         |  | 2    |  |
| Pair of single extended flanges                   | 115 21 02         |  | 2,8  |  |
| Pair of single flanges - PACK OF 20               | 115 21 01 PACK    |  | 36,8 |  |
| Pair of single flanges - SURPACK OF 120           | 115 21 01 SURPACK |  | 220  |  |
| Pair of double flanges                            | 115 21 03         |  | 5,8  |  |
| Pair of triple flanges                            | 115 21 04         |  | 6,9  |  |
| Single flange for Ø 300 mm nozzle                 | 115 21 39         |  | 1,8  |  |
| Pair of wall plates for facing and side bolt      | 115 21 31         |  | 1,5  |  |
| Pair of end of wall flanges width 154 mm          | 115 21 50         |  | 9    |  |
| Pair of end of wall flanges width 204 mm          | 115 21 49         |  | 11   |  |
| Universal bolt - Ø 25 mm                          | 115 21 83         |  | 1,6  |  |

### Wheel adaptable to 4/5 and 6 rail barriers Ø 42 and 60 mm

|                              |           |  |     |  |
|------------------------------|-----------|--|-----|--|
| Adaptable wheel for barriers | 115 21 87 |  | 9,3 |  |
|------------------------------|-----------|--|-----|--|

### Passage prevention bars Ø 60 mm and Ø 48 mm

|                             |           |  |     |  |
|-----------------------------|-----------|--|-----|--|
| Protection bar L. 0.41/0.60 | 115 21 85 |  | 4,5 |  |
| Protection bar L. 0.58/0.78 | 115 21 86 |  | 4,5 |  |

### 1/2 flanges for 90 mm posts

|  |           |  |      |  |
|--|-----------|--|------|--|
| 1/2 flange - bare <b>New</b>               | 115 23 21 |  | 0,5  |  |
| Pair of flanges - 1 dir. <b>New</b>        | 115 23 23 |  | 1,10 |  |
| Pair of flanges - 2 dir. at 90° <b>New</b> | 115 23 25 |  | 1,7  |  |

|   |                |  |    |  |
|---|----------------|--|----|--|
| 1/2 flange - bare - PACK OF 40 <b>New</b>   | 115 23 21 PACK |  | 16 |  |
| 1/2 flange - 1 dir. - PACK OF 20 <b>New</b> | 115 23 23 PACK |  | 21 |  |
| 1/2 flange - 2 dir. - PACK OF 20 <b>New</b> | 115 23 25 PACK |  | 33 |  |

### 1/2 bride réception verrou

|                            |           |  |     |  |
|----------------------------|-----------|--|-----|--|
| 1/2 bride réception verrou | 115 23 27 |  | 0,5 |  |
|----------------------------|-----------|--|-----|--|

### Additional fastener bag

|   |           |  |      |  |
|---|-----------|--|------|--|
| Bag containing M22 threaded eye rod with 3 nuts | 115 50 01 |  | 0,9  |  |
| Bag of 2 1/2 shells with staples 42/27 mm       | 115 50 03 |  | 0,9  |  |
| Bag of 2 1/2 shells with staples 42/42 mm       | 115 50 05 |  | 0,9  |  |
| Bag of 2 1/2 shells with staples 60/42 mm       | 115 50 07 |  | 0,9  |  |
| Bag of 2 1/2 shells with staples 48/42 mm       | 115 50 09 |  | 0,9  |  |
| Bag of 2 1/2 shells with staples 49/49 mm       | 115 50 10 |  | 0,9  |  |
| Bag of 2 1/2 shells with staples 60/60 mm       | 115 50 11 |  | 0,9  |  |
| Bag of 2 1/2 shells with staples 102/60 mm      | 115 50 13 |  | 1,37 |  |

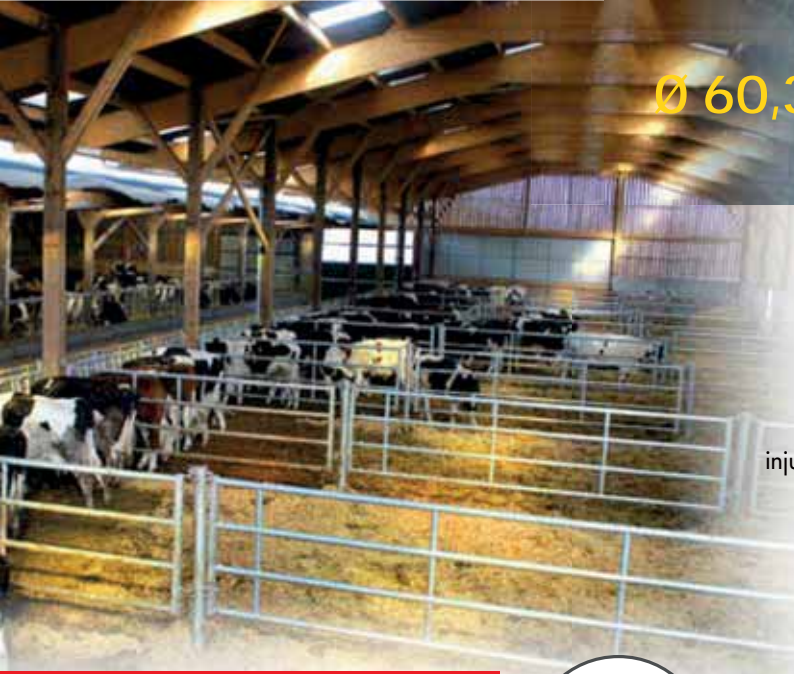
### PROTECTION BAR

#### 2 lengths

Ideal to prevent animals from passing between 2 posts.  
- Code 115 21 85 to protect a passage between posts (with ø102 mm clamp 1 direction) min 600 mm max 760 mm  
- Code 115 21 86 to protect a passage between posts (with ø102 mm clamp 1 direction) min 770 mm max 970 mm



# Ø 60,3 mm 4 AND 5 RAIL BARRIERS AND PANEL BACK ENDS



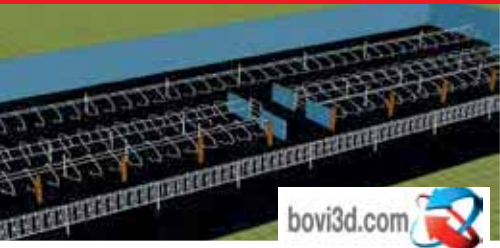
## Ø 60,3 MM 4 AND 5 RAIL BARRIERS AND PANEL BACK ENDS

Standard fixing spacing at market size.

In the barrier version, fitted with double bolts guided into their rail shafts.

Using this system, there are no protruding parts that could injure the animals, unlike offset systems. Furthermore, this system allows effective bolting in the stall post shafts using specific flanges or clamps.

**Benefit from technical advice from our team which is specialised in fitting out cattle raising building**  
Design your own installation using our specialised software



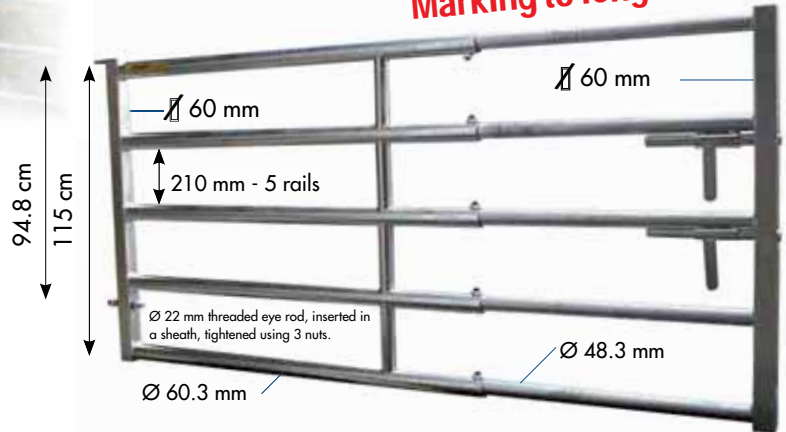
bovi3d.com

### 5 RAIL BACK ENDS

Marking to length



Fixing plate at the back part of the barrier stamped and marked with the barrier length.

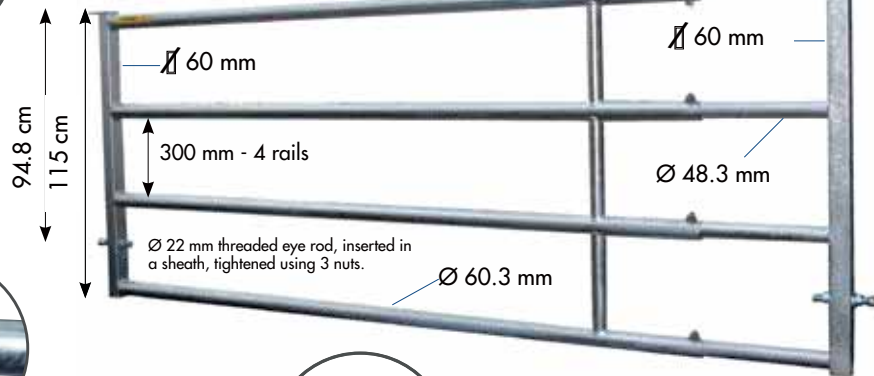


Module shown is a 2 bolt version

### 4 RAIL BACK ENDS



Solid and aesthetic finish of our barrier ends.



Module shown is a panel version



Assembly of spacers cut with half-round groove on the barrier rails.



Rails locked in place with nuts.

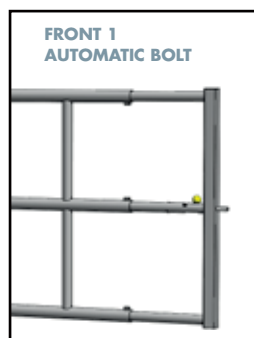
| Description                       | Code      | Pack | Weight kg | Price ex. VAT |
|-----------------------------------|-----------|------|-----------|---------------|
| <b>Ø 60.3 mm 5 rail back ends</b> |           |      |           |               |
| AR 0.90 m / 2 m L. 585 mm         | 115 17 00 | 16   |           |               |
| AR 1.2 m / 2.3 m L. 865 mm        | 115 17 02 | 25   |           |               |
| AR 2 m / 3 m                      | 115 17 01 | 37   |           |               |
| AR 3 m / 4 m                      | 115 17 03 | 56   |           |               |
| AR 4 m / 5 m                      | 115 17 05 | 78   |           |               |
| AR 5 m / 6 m                      | 115 17 07 | 102  |           |               |
| AR 6 m / 7 m                      | 115 17 09 | 125  |           |               |

| Description                       | Code      | Pack | Weight kg | Price ex. VAT |
|-----------------------------------|-----------|------|-----------|---------------|
| <b>Ø 60.3 mm 4 rail back ends</b> |           |      |           |               |
| AR 0.90 m / 2 m L. 585 mm         | 115 18 00 | 14   |           |               |
| AR 1.2 m / 2.3 m L. 865 mm        | 115 18 02 | 22   |           |               |
| AR 2 m / 3 m                      | 115 18 01 | 34   |           |               |
| AR 3 m / 4 m                      | 115 18 03 | 46   |           |               |
| AR 4 m / 5 m                      | 115 18 05 | 65   |           |               |
| AR 5 m / 6 m                      | 115 18 07 | 81   |           |               |
| AR 6 m / 7 m                      | 115 18 08 | 97   |           |               |

| Description                           | Code      | Pack | Weight kg | Price ex. VAT |
|---------------------------------------|-----------|------|-----------|---------------|
| <b>Ø 60.3 mm 3 rail back ends</b>     |           |      |           |               |
| AR 2 m / 3 m                          | 115 16 01 | 29   |           |               |
| AR 3 m / 4 m                          | 115 16 03 | 41   |           |               |
| AR 4 m / 5 m                          | 115 16 05 | 54   |           |               |
| AR 5 m / 6 m                          | 115 16 07 | 68   |           |               |
| <b>Ø 48.3 front end with 3 rails</b>  |           |      |           |               |
| Panel end L. 1815 mm                  | 115 16 11 | 23   |           |               |
| Front end 1 automatic bolt L. 1775 mm | 115 16 13 | 23   |           |               |

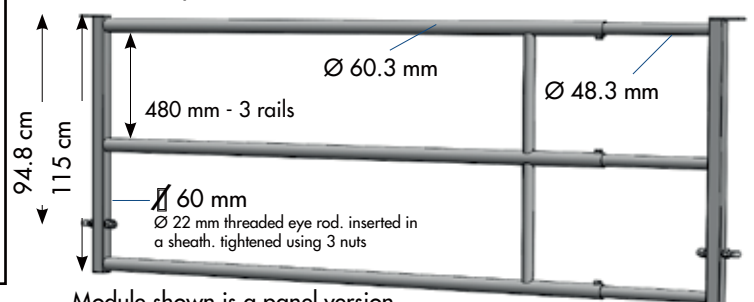
Lengths for the front end given from fastening shaft.

They can be used to create paddocks for bred horses used to this type of enclosure. Do not leave horses unattended, protect the protruding parts (clamps, adjustment bolts, etc.) if necessary.



### 3 RAIL BACK AND FRONT ENDS

These 3 rail barriers are highly appreciated when creating runs. They are suitable for dairy cattle.



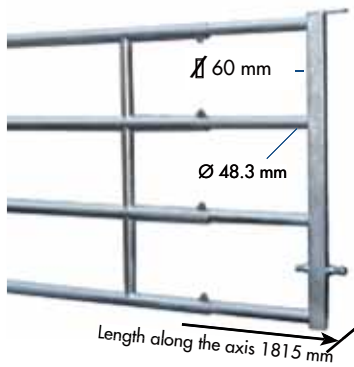
Module shown is a panel version

# Ø 60,3 mm 4 AND 5 RAIL FRONT ENDS



## 4 AND 5 RAIL PANEL FRONT ENDS

## 4 AND 5 RAIL DOUBLE BOLT FRONT ENDS



A complete range making it possible to cater for all types of installation.  
Their design combines strength and modularity.



**Double bolt in the rail shafts with non-return system**

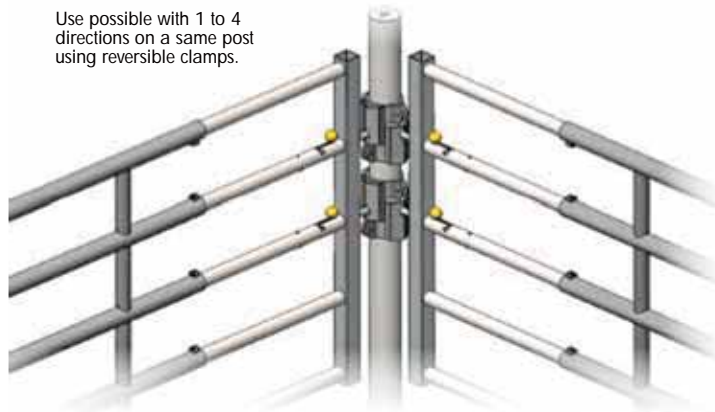
Front end with 2 "stamped" bolts Ø 33.7 mm, non-return device in the axis of the rails

| Description   | Code      | Pack | Weight kg | Price ex. VAT |
|---|-----------|------|-----------|---------------|
| <b>5 rail barrier and panel front ends</b>                      |           |      |           |               |
| barrier with double bolt in the shaft L.1775 Ø 48.3 mm          | 115 17 14 |      | 33        |               |
| extended barrier with double bolt in the shaft L.2775 Ø 48.3 mm | 115 17 26 |      | 47        |               |
| panel L. 1815 mm Ø 48.3 mm                                      | 115 17 21 |      | 31.9      |               |
| extended panel L. 2815 mm Ø 48.3 mm                             | 115 17 22 |      | 48        |               |
| <b>5 rail barrier and panel front ends</b>                      |           |      |           |               |
| barrier with Double bolt in the shaft L.1775 Ø 48.3 mm          | 115 18 10 |      | 28.5      |               |
| extended barrier with Double bolt in the shaft L.2775 Ø 48.3 mm | 115 18 16 |      | 39        |               |
| panel L. 1815 mm Ø 48.3 mm                                      | 115 18 11 |      | 26.9      |               |
| extended panel L. 2815 mm Ø 48.3 mm                             | 115 18 12 |      | 38.4      |               |

Lengths for the front end given from fastening shaft.

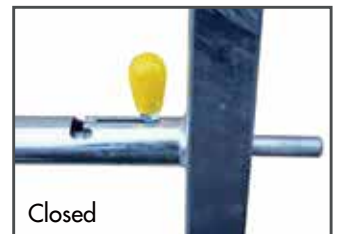
## 4 AND 5 RAIL BARRIER FRONT ENDS WITH 2 AUTOMATIC BOLTS

Use possible with 1 to 4 directions on a same post using reversible clamps.



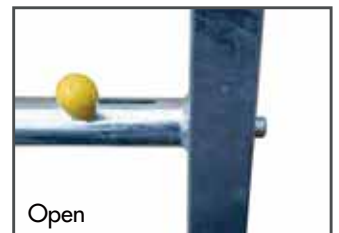
These Ø 48.3 ends can be adapted to our 4 and 5 rail Ø 60.3 mm backs, they give barriers that open and close automatically very quickly.

Their Ø 20 mm bolts are guided directly into their rail, thereby avoiding any risk of injury or snagging of animal collars by the addition of extra parts.



Closed

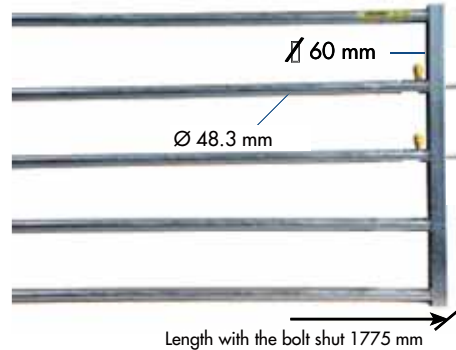
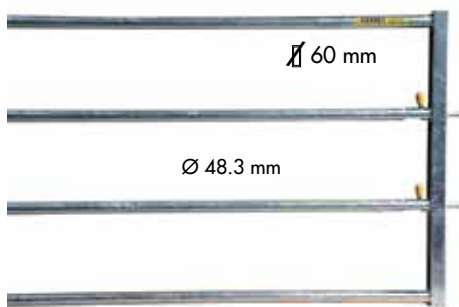
Automatic position



Open



Open



Length with the bolt shut 1775 mm

They have a lock in the closed position, on the right and the left.

Their large cross section spring mechanism is designed to provide a certain resistance when they are operated thereby preventing the animals from opening them.

They can be used in all configurations and are ideal and safe when mounted on small and medium length units such as gates.

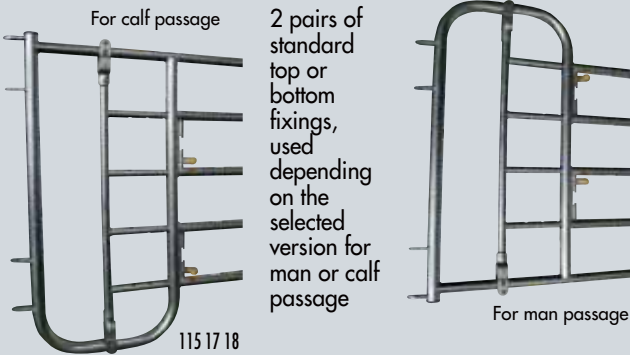
| Description  | Code      | Pack | Weight kg | Price ex. VAT |
|--|-----------|------|-----------|---------------|
| Front end automatic double bolt 4 rails Ø 48.3 mm - L. 1775 mm | 115 18 17 |      | 30        |               |
| Front end automatic double bolt 5 rails Ø 48.3 mm - L. 1775 mm | 115 17 17 |      | 35        |               |

Lengths for the front end given from fastening shaft.

See clamp and plate for automatic bolt on page 33

## 4 AND 5 RAIL MIXED FRONT ENDS MAN AND CALF PASSAGE

Man or calf passage made using Ø 60.3 mm, adjustable multi-position passage width with bolt



2 pairs of standard top or bottom fixings, used depending on the selected version for man or calf passage

Minimum barrier measurements to be increased by 350 mm for the front end of the man/calf passage.



Multi-position bolt blocking system for passage width adjustment.

## 4 AND 5 RAIL FRONT ENDS MAN PASSAGE WITH GATE

Minimum barrier measurements to be increased by 350 mm for the front end of the staff passage gate.

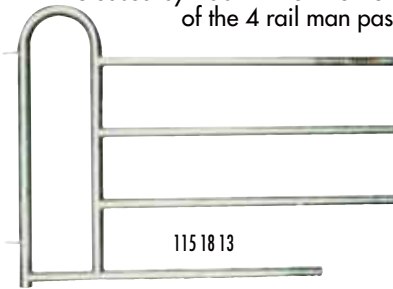


Fitted as standard with a return spring

| Description   | Code      | Pack | Weight | Price ex. VAT |
|---|-----------|------|--------|---------------|
| <b>Ø 48,3 mm 5 rail front end</b>   |           |      |        |               |
| Mixed man/calf passage L. 2100 mm   | 115 17 18 |      | 61     |               |
| Man passage gate L. 2100 mm   | 115 17 20 |      | 45     |               |
| Mixed drinker/nozzle passage L. 2100 mm   | 115 17 16 |      | 39     |               |
| 5 rail front end caesarean type yoke panel with adjustable neck opening L2435 mm  | 112 07 37 |      | 54     |               |
| <b>Ø 48,3 mm 4 rail front end</b>   |           |      |        |               |
| Man passage L. 1775 mm  | 115 18 13 |      | 33     |               |
| Mixed man/calf passage L. 2100 mm   | 115 18 14 |      | 46     |               |
| Man passage gate L. 2100 mm   | 115 18 20 |      | 43     |               |
| Mixed drinker/nozzle passage L. 2053 mm   | 115 18 15 |      | 32.5   |               |
| 4 rails front end caesarean type yoke panel with adjustable neck opening L2435 mm | 112 07 36 |      | 50     |               |

## 4 RAIL FRONT ENDS FOR MAN PASSAGE

Minimum barrier measurements to be increased by 100 mm for the front end of the 4 rail man passage.



## 4 AND 5 RAIL YOKE FRONT ENDS CAESAREAN TYPE



## 4 AND 5 RAIL FRONT ENDS CON- VERTIBLE TO A DRINKER OR NOZZLE PASSAGE

- 2 lower sliding rails for nozzle passage.



4 rail front end  
Nozzle passage version

5 rail front end  
Drinker passage version



## "SECURIPASS" GATE

**Patented**

The "Securipass" gate is ideal to secure staff passages in tubular installations.

it has the advantage of obstructing the view and the passage of cattle while giving the farmer a quick man passage by simply pushing it.

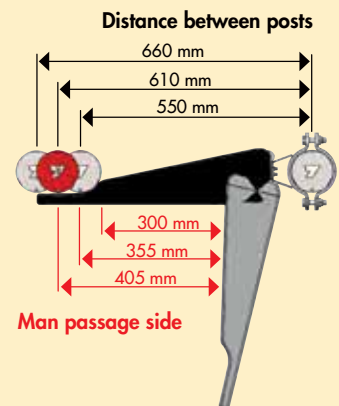
Reversible top/bottom, it can therefore be used in all opening configurations.

The height of the installation is adjustable by the farmer depending on animal size.

Manufactured from rotary moulded polyethylene, stabilised for frost and UV resistant.



Its special design enables the adjustment of the width passage:



H. 1.15 m - W. 0.56 m - D. 0.14 m

Reversible zinc plated hinges with reinforced counter plates

| Description   | Code      | Pack | Weight | Price ex. VAT |
|---|-----------|------|--------|---------------|
| COSNET "Securipass" gate                                  | 115 19 21 |      | 19     |               |
| <b>WALL MOUNTING OPTION</b>                               |           |      |        |               |
| Pair of omegas to wall mount the COSNET "Securipass" gate | 115 19 23 |      | 1      |               |

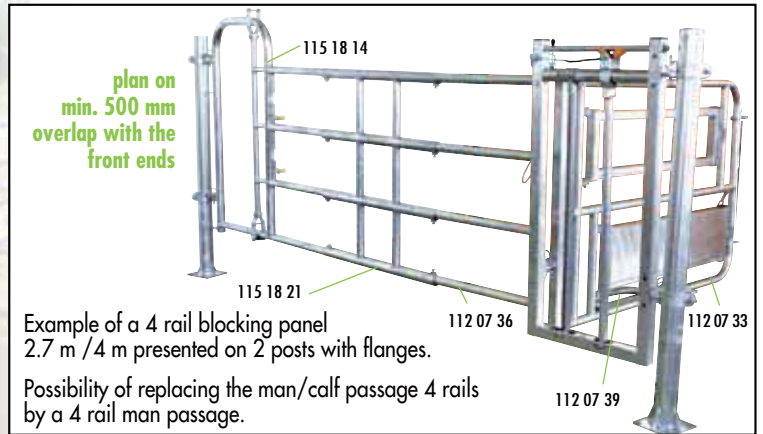


115 19 23

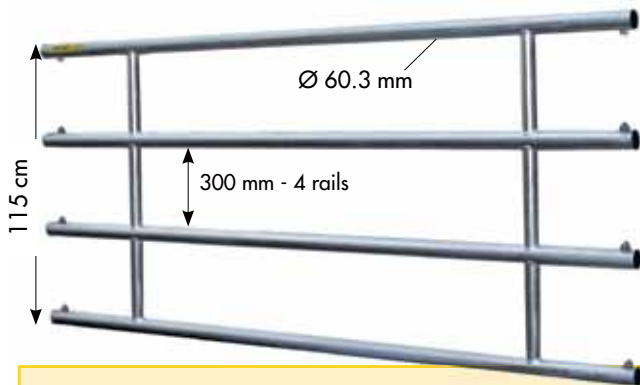


Part reserved to receive the post adjustment range 120 mm

# BLOCKING PANEL CAESAREAN STALL



## EXTENDIBLE MODULE Ø 60.3 MM 4 RAILS AND 5 RAILS



Thanks to their two hollow ends, the extendible modules can accept 4 or 5 rails front ends of all types.

### Extendible modules

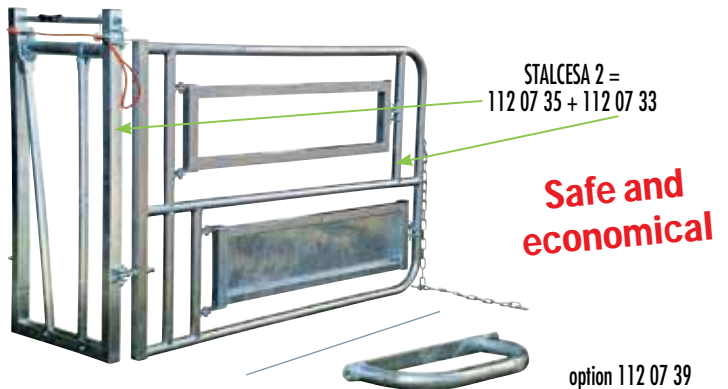
| Description                            | Code      | Pack | Weight | Price ex. VAT |
|--|-----------|------|--------|---------------|
| Extendible 5 rail module Ø 60 mm - 1 m | 115 17 31 |      | 25     |               |
| Extendible 5 rail module Ø 60 mm - 2 m | 115 17 33 |      | 41     |               |
| Extendible 5 rail module Ø 60 mm - 3 m | 115 17 35 |      | 59     |               |
| Extendible 4 rail module Ø 60 mm - 1 m | 115 18 21 |      | 19,4   |               |
| Extendible 4 rail module Ø 60 mm - 2 m | 115 18 23 |      | 32,4   |               |
| Extendible 4 rail module Ø 60 mm - 3 m | 115 18 25 |      | 46,8   |               |

### 5 and 4 rails blocking panels

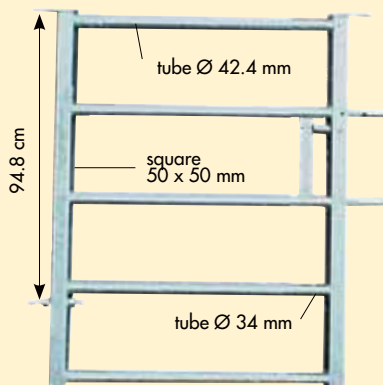
| Code           | Description   | Pack | Weight | Price ex. VAT |
|----------------|---|------|--------|---------------|
| ZZPANBLOC5L2/4 | 2/3 m - 5 rail blocking panels<br>112 07 37 + 115 17 18 + 115 17 31 + 112 07 33 + 112 07 39 + 115 21 01 (flanges) |      | 185    |               |
| ZZPANBLOC5L3/5 | 3/4 m - 5 rail blocking panels<br>112 07 37 + 115 17 18 + 115 17 33 + 112 07 33 + 112 07 39 + 115 21 01 (flanges) |      | 201    |               |
| ZZPANBLOC5L4/6 | 4/5 m - 5 rail blocking panels<br>112 07 37 + 115 17 18 + 115 17 35 + 112 07 33 + 112 07 39 + 115 21 01 (flanges) |      | 219    |               |
| ZZPANBLOC4L2/4 | 2/3 m - 4 rail blocking panels<br>112 07 36 + 115 18 14 + 115 18 21 + 112 07 33 + 112 07 39 + 115 21 01 (flanges) |      | 182    |               |
| ZZPANBLOC4L3/5 | 3/4 m - 4 rail blocking panels<br>112 07 36 + 115 18 14 + 115 18 23 + 112 07 33 + 112 07 39 + 115 21 01 (flanges) |      | 195    |               |
| ZZPANBLOC4L4/6 | 4/5 m - 4 rail blocking panels<br>112 07 36 + 115 18 14 + 115 18 25 + 112 07 33 + 112 07 39 + 115 21 01 (flanges) |      | 211    |               |

\*These sizes are given for min/max measurements with cut ends

## COMPLETE CAESAREAN STALL



## EXTENDIBLE GATE



5 rails Ø 42.4 mm H 1.15 m.  
Double bolt in the rail axis

| Items including front and back end | Code      | Pack | Weight | Price ex. VAT |
|------------------------------------|-----------|------|--------|---------------|
| Gate space from 0.90 to 1.40 m     | 115 19 04 |      | 24,2   |               |
| Gate space from 0.60 to 0.90 m     | 115 19 08 |      | 20,7   |               |



### Caesarean stall

| Description  | Code         | Pack | Weight | Price ex. VAT |
|--|--------------|------|--------|---------------|
| Complete caesarean stall and insemination stall unit with panel, yoke and wall spacer (ref. 1120733 + 112 07 35 + 112 07 39) | ZZSTALCESA 2 |      | 101    |               |
| STAINLESS STEEL womb support with fixing chain   | 112 07 32    |      | 12     |               |
| Double gate caesarean stall panel with closure chain - L. 1.90 m x H 1.30 m  | 112 07 33    |      | 59     |               |
| Caesarean stall and insemination type yoke panel with adjustable neck opening  | 112 07 35    |      | 34     |               |
| Wall spacer with reception for closure chain   | 112 07 39    |      | 7      |               |

## STAINLESS STEEL SHELF



Double gate caesarean stall panel - L. 1.90 m x H 1.30 m with 2 optional threaded rods  
Code 115 51 01  
Stainless steel womb support option with fixing chain for caesarean stall Code 112 07 32



# ANIMAL PASSAGES GATES

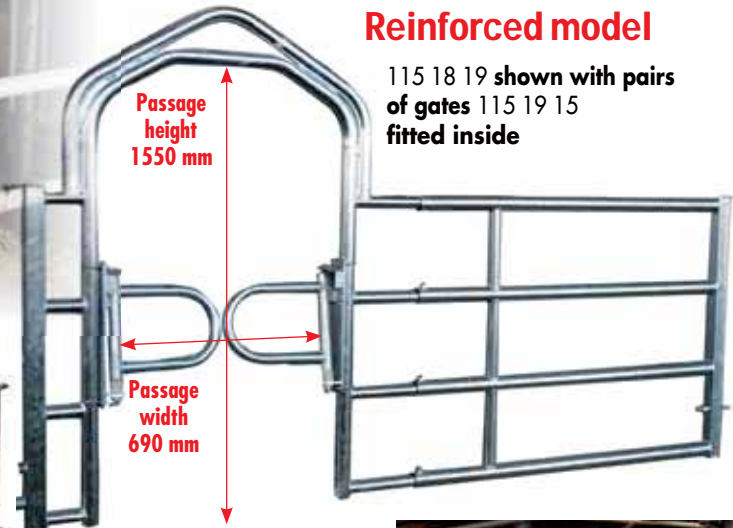
**4 RAIL FRONT END FOR ANIMAL PASSAGE, AVAILABLE EITHER WITH OR WITHOUT NON-RETURN GATE**



Photo not contractually binding - previous model

## Reinforced model

115 18 19 shown with pairs of gates 115 19 15 fitted inside



## Reinforced model

115 18 19 shown with gate. 115 19 11

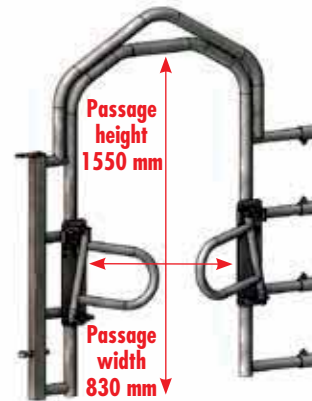
115 18 19 shown with gates 115 19 11 and 115 19 13

| Description                                       | Code      | Pack | Weight kg | Price ex. VAT |
|---|-----------|------|-----------|---------------|
| <b>Front end 4 rails</b>                          |           |      |           |               |
| Ø 60.3 mm and Ø 48.3 mm animal passage            | 115 18 19 |      | 46        |               |
| <b>Non-return gates</b>                           |           |      |           |               |
| Ext. non-return gate 2 tubes with fixing plate    | 115 19 11 |      | 16        |               |
| Ext. non-return gate 2 tubes without fixing plate | 115 19 13 |      | 9         |               |
| Pair of Western type non-return gates             | 115 19 15 |      | 21        |               |

## NON-RETURN GATES

THE 115 19 11 MODEL 2 tube gate with fixing plate can receive a second gate 115 19 13.

Like the Western type 115 19 15 model they can either be fixed to a wall, to a barrier or on the end of an animal passage.



115 18 19 shown with pairs of gates 115 19 15 that are surface mounted



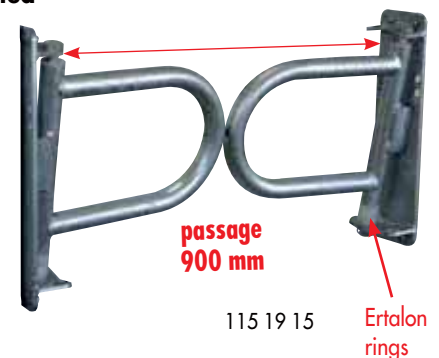
Photo not contractually binding - previous model



115 19 11

115 19 11 + 115 19 13

This Western style gate is very sturdy. Each gate is fixed sloping on a plate, in addition sloped cut Ertalon rings ease their return to the initial position when animals pass through.



115 19 15

Ertalon rings



Photo not contractually binding - previous model

# FOLD-AWAY BARRIER FOR CUBICLE HOUSING



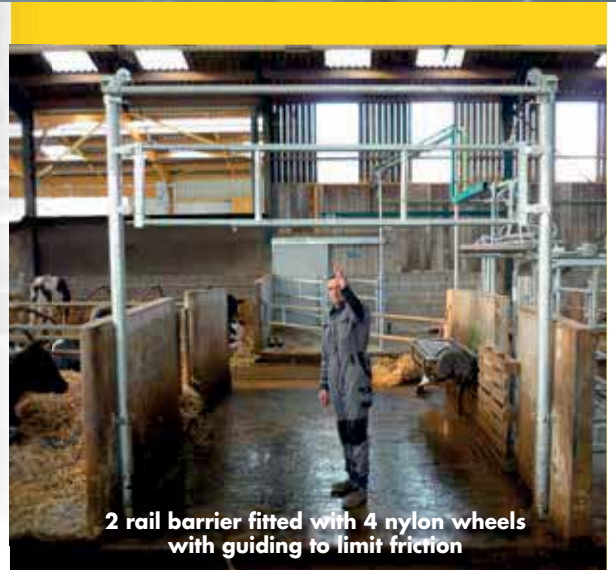
## Ø 60,3 MM 2 RAIL FOLD-AWAY BARRIER FOR CUBICLE HOUSING

These 2 rail fold-away barriers were developed to make the farmer's work easier. Thanks to their mechanism with guided counter-weights in their Ø 102 mm supporting posts, they are very flexible to use. Thanks to the cable that simultaneously operates both side bolts, they can be operated without exerting any effort.



They are delivered standard with:

- their two Ø 102 mm posts of a total height of 3.78 m.
- their Ø 60.3 mm opening bar in the top part.
- their cable to operate the two bolts.
- their handling ropes.
- Counterweights connected to the lifting cables fixed to the 2 rail barrier, guided by stainless steel pulleys.



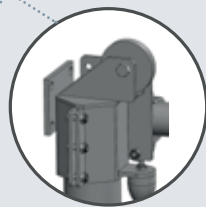
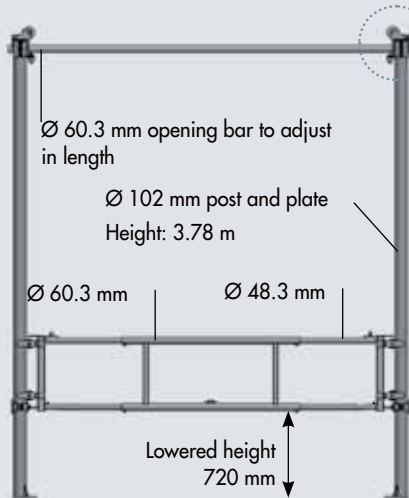
2 rail barrier fitted with 4 nylon wheels with guiding to limit friction



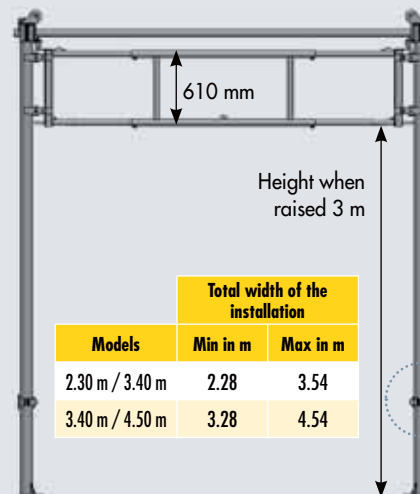
Effortless handling

New

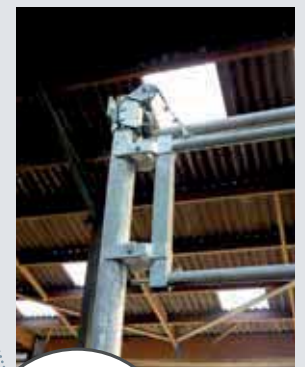
### TECHNICAL SPECIFICATIONS



Upper pulley support clamp fitted with a plate for wall mounting



Wide diameter 98 mm stainless steel pulley mounted on ball bearings, providing effortless lifting.



| Ø 60,3 mm 2 rails fold-away barrier       | Code      | Pack | Weight kg | Price ex. VAT |
|---|-----------|------|-----------|---------------|
| Length 2.30 m / 3.40 m for cubicle aisles | 115 03 81 |      | 170       |               |
| Length 3.40 m / 4.50 m for cubicle aisles | 115 03 83 |      | 190       |               |

Side bolt support clamp fitted with a plate for wall mounting





Since 1st January 2017 the company Cosnet has its own experimental and training centre for suckler cows.

This centre enables our technical teams to test and develop all our livestock equipment design and production.

Close to our industry, it enables us to provide specialized training to our sales team as well as to Cosnet dealers' staff.

## FACILITIES EXAMPLES



**YouTube** See our videos on our channel: COSNET S.A.S.

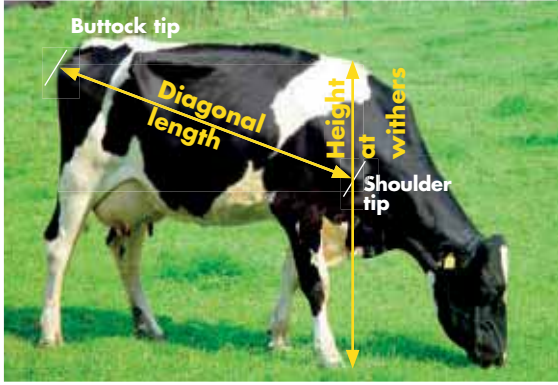


Our sector managers and technical sales representatives are available to advise and accompany you by the realization and estimation of the cost of your clients' projects.



Come to visit our facilities and discover the new CABON system.

**YouTube** See our videos on our channel: COSNET S.A.S.



**INSTALLATION ADVICE**

**Positioning the brisket board and withers bar**

It is calculated using animal size

- Distance between the threshold and the start of the retainer on the ground = average length of the animals + 7 cm = **A**
- Distance between the threshold and the front of the withers bar = **A + 10 cm**
- Height of the withers bar: between 115 et 123 cm depending on the size

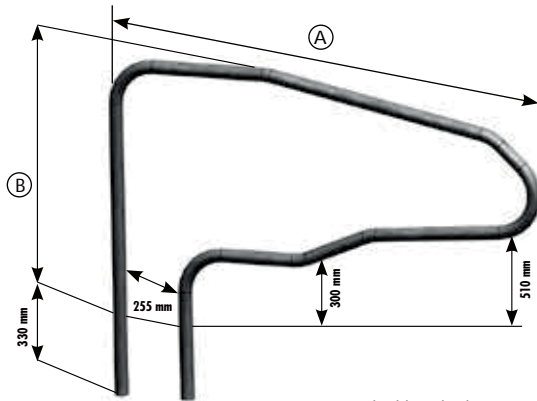
**Recommended values to adjust the cubicles to the size of the cows from the dominant dairy breeds (Prim/Holstein, Normandy, Montbéliarde).**

For smaller breeds (Jersey for example), we propose to do the calculations using measured sizes and the proposed formulas.

| Cow size  | Large   | Medium        | Small         |
|---|---|---------------|---------------|
| Diagonal length   | 178 cm  | 173 cm        | 158 cm        |
| Height at withers   | 147 cm  | 141 cm        | 136 cm        |
| Depth - Facing the wall (from threshold to wall)                      | 270 to 280 cm   | 260 to 270 cm | 250 to 260 cm |
| Face to face (no wall) <sup>(1)</sup>                                 | 480 to 500 cm minimum between the 2 thresholds depending on the type of partition |               |               |
| brisket board or forward movement limiter (relative to the threshold) | 185 cm  | 180 cm        | 165 cm        |
| Withers bar position (relative to the threshold)                      | 190 cm  | 185 cm        | 175 cm        |
| Height under the withers bar  | 123 cm  | 119 cm        | 115 cm        |
| Cubicle width (tubular 60 mm)   | 120 to 125 cm from shaft to shaft   |               |               |

| Age in months    | Width                                 | Length facing the wall <sup>(1)</sup> | Wither bar                  |        | Distance from the threshold to the brisket board |
|------------------|---------------------------------------|---------------------------------------|-----------------------------|--------|--|
|                  |                                       |                                       | Distance from the threshold | Height |  |
| 6-12             | 80 cm                                 | 210 to 230 cm                         | 140 cm                      | 75 cm  | 135 cm   |
| 12-18            | 90 cm                                 | 230 cm                                | 150 cm                      | 95 cm  | 145 cm   |
| 18 and over      | 105 to 115 cm                         | 230 to 250 cm                         | 160 to 170 cm               | 110 cm | 155 to 160 cm                                    |
| Pregnant heifers | Same recommendation as for the adults |                                       |                             |        |  |

This data is taken from the book: "DESIGNING AND INSTALLING CUBICLES" published by the "institut de l'élevage ©GIE Lait Viande de Bretagne"



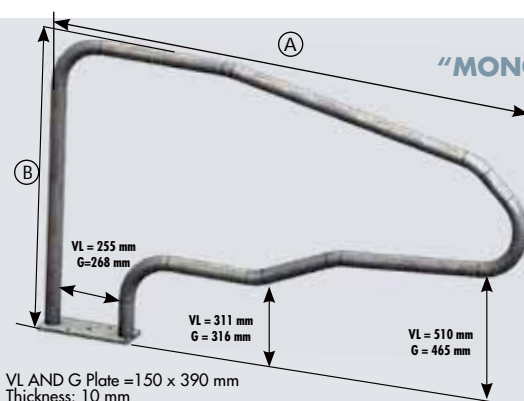
Embedding depth: 330 mm

**"MONOFOOT to embed"**

- + Product :
- Good side contention
- No bars in the front part
- Good value for money

The single stand cubicles can be directly embedded into the concrete slab; they are cheaper but do not have any adjustment possibilities once they have been installed.

| Ø 60.3 mm cubicle - Thick. 2.9 mm | A            | B       | Code      | Pack | Weight | Price ex. VAT |
|-----------------------------------|--------------|---------|-----------|------|--------|---------------|
| Adult cow                         | Length in mm | Height  |           |      | kg     |               |
| MONOFOOT cubicle to EMBED         | 2060 mm      | 1220 mm | 115 01 01 |      | 26.5   |               |



VL AND G Plate = 150 x 390 mm  
Thickness: 10 mm

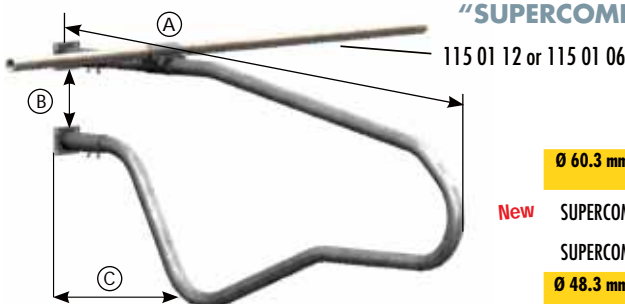
**"MONOFOOT plate-mounted"**

The Monofoot cubicles can be bolted onto the concrete slab using their plates; they are cheaper but do not have any adjustment possibilities once they have been installed.

- + Product :
- Good side contention
- No bars in the front part
- Easy fixture to a plate
- Good value for money

| Ø 60.3 mm cubicle - Thick. 2.9 mm | A            | B       | Code      | Pack | Weight | Price ex. VAT |
|-----------------------------------|--------------|---------|-----------|------|--------|---------------|
| Adult cow                         | Length in mm | Height  |           |      | kg     |               |
| MONOFOOT cubicle PLATE MOUNTED    | 2060 mm      | 1230 mm | 115 01 02 |      | 32     |               |
| Ø 48.3 mm cubicle - Thick. 2.5 mm | A            | B       | Code      | Pack | Weight | Price ex. VAT |
| Heifer                            | Length in mm | Height  |           |      | kg     |               |
| MONOFOOT cubicle PLATE MOUNTED    | 1800 mm      | 1060 mm | 115 03 05 |      | 19     |               |

**"SUPERCOMFORT" CUBICLE**



New

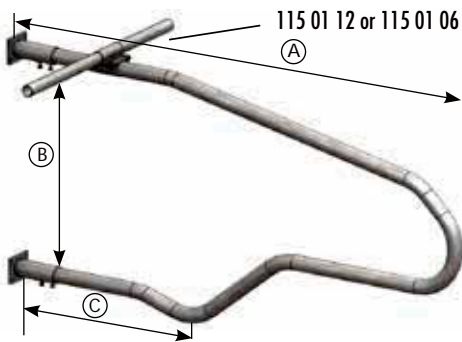
| Ø 60.3 mm cubicle - Thick. 2.9 mm | A            | B      | C      | Code      | Pack | Weight | Price ex. VAT |
|-----------------------------------|--------------|--------|--------|-----------|------|--------|---------------|
| Adult cow                         | Length in mm | Height |        |           |      | kg     |               |
| SUPERCOMFORT cubicle              | 1760 mm      | 206 mm | 611 mm | 115 03 10 |      | 17,5   |               |
| SUPERCOMFORT cubicle              | 1975 mm      | 250 mm | 695 mm | 115 03 01 |      | 20     |               |
| Ø 48.3 mm cubicle - Thick. 2.5 mm | A            | B      | C      | Code      | Pack | Weight | Price ex. VAT |
| Heifer                            | Length in mm | Height |        |           |      | kg     |               |
| SUPERCOMFORT cubicle              | 1750 mm      | 220 mm | 611 mm | 115 03 03 |      | 14.5   |               |



# CUBICLE

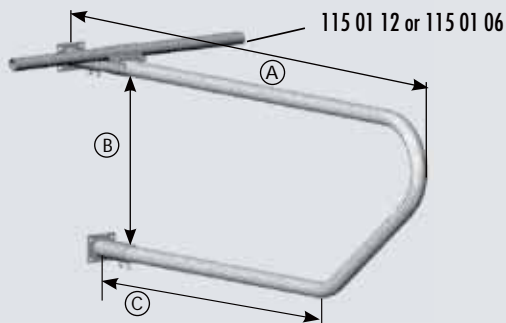


## "EUROPE" CUBICLE

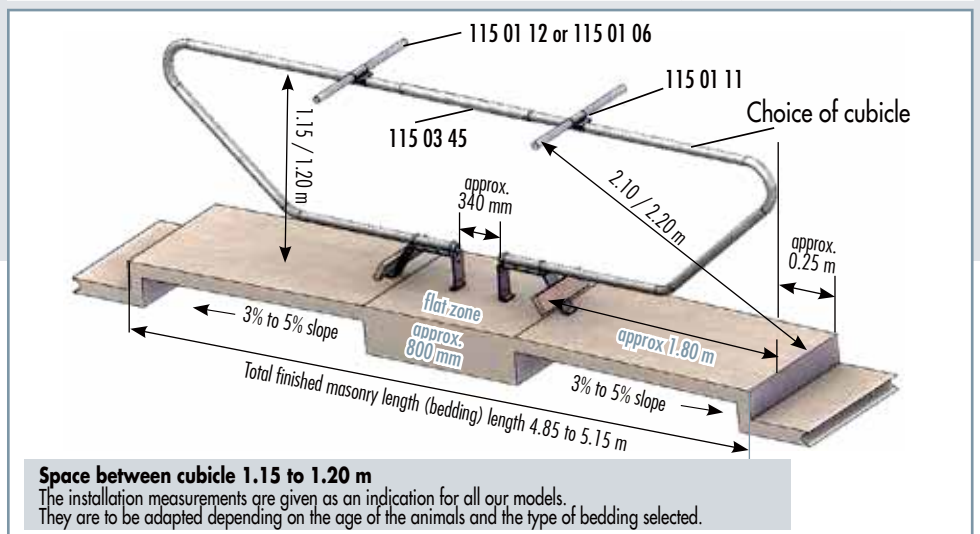


| Ø 60.3 mm cubicle - Thick. 2.9 mm Adult cow |     | A            | B      | C      | Code      | Pack | Weight kg | Price ex. VAT |
|---|-----|--------------|--------|--------|-----------|------|-----------|---------------|
|   |     | Length in mm | Height |        |           |      |           |               |
| EUROPE cubicle                              |     | 1950 mm      | 840 mm | 680 mm | 115 03 07 |      | 22        |               |
| EUROPE cubicle                              | New | 1800 mm      | 700 mm | 644 mm | 115 02 19 |      | 17        |               |
| EUROPE cubicle                              |     | 2080 mm      | 840 mm | 830 mm | 115 03 02 |      | 24        |               |
| EUROPE cubicle                              |     | 2200 mm      | 840 mm | 950 mm | 115 03 08 |      | 25        |               |
| Ø 48.3 mm cubicle - Thick. 2.5 mm Heifer    |     | A            | B      | C      | Code      | Pack | Weight kg | Price ex. VAT |
|   |     | Length in mm | Height |        |           |      |           |               |
| EUROPE cubicle                              |     | 1450 mm      | 540 mm | 575 mm | 115 03 06 |      | 13        |               |
| EUROPE cubicle                              | New | 1600 mm      | 650 mm | 550 mm | 115 02 20 |      | 14        |               |
| EUROPE cubicle                              |     | 1750 mm      | 590 mm | 615 mm | 115 03 04 |      | 14        |               |

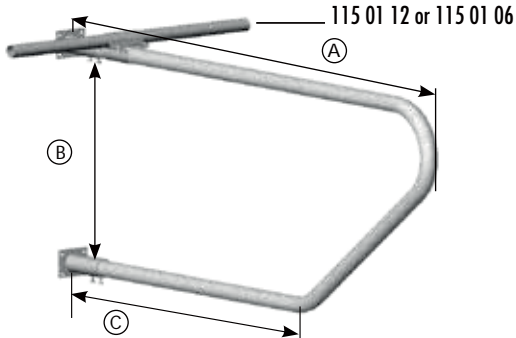
## "CONTINENTAL" CUBICLE



| Ø 60.3 mm cubicle - Thick. 2.9 mm Adult cow |  | A            | B      | C       | Code      | Pack | Weight kg | Price ex. VAT |
|---|--|--------------|--------|---------|-----------|------|-----------|---------------|
|   |  | Length in mm | Height |         |           |      |           |               |
| CONTINENTAL cubicle                         |  | 2090 mm      | 760 mm | 1350 mm | 115 03 00 |      | 24        |               |

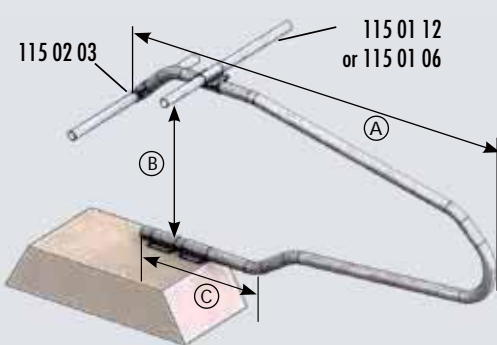


## "ATLANTIC" CUBICLE

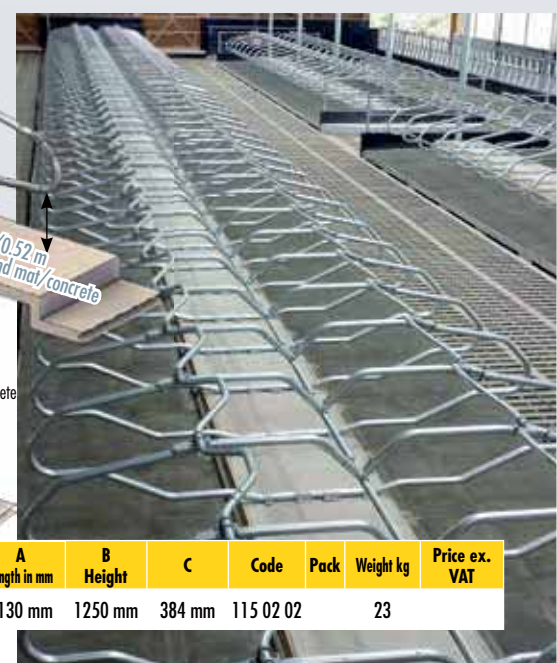
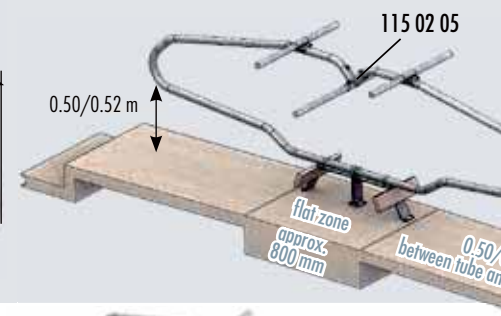


| Ø 60.3 mm cubicle - Thick. 2.9 mm Adult cow |  | A            | B      | C       | Code      | Pack | Weight kg | Price ex. VAT |
|---|--|--------------|--------|---------|-----------|------|-----------|---------------|
|   |  | Length in mm | Height |         |           |      |           |               |
| ATLANTIC cubicle                            |  | 2100 mm      | 990 mm | 1300 mm | 115 02 99 |      | 24        |               |

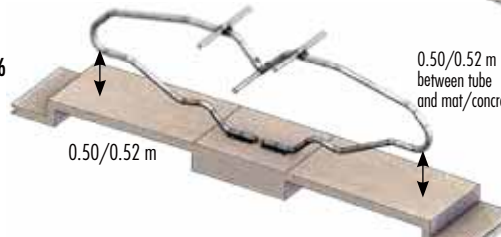
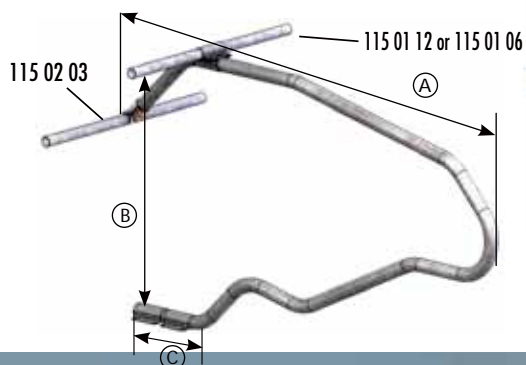
## FREE-STANDING "PACIFIC" CUBICLE



| Ø 60.3 mm cubicle - Thick. 3.2 mm Adult cow |  | A            | B      | C      | Code      | Pack | Weight kg | Price ex. VAT |
|---|--|--------------|--------|--------|-----------|------|-----------|---------------|
|   |  | Length in mm | Height |        |           |      |           |               |
| PACIFIC cubicle                             |  | 2090 mm      | 980 mm | 874 mm | 115 02 01 |      | 22        |               |



## FREE-STANDING "WELFARE" CUBICLE



| Ø 60.3 mm cubicle - Thick. 3.2 mm Adult cow |  | A            | B       | C      | Code      | Pack | Weight kg | Price ex. VAT |
|---|--|--------------|---------|--------|-----------|------|-----------|---------------|
|   |  | Length in mm | Height  |        |           |      |           |               |
| WELFARE cubicle                             |  | 2130 mm      | 1250 mm | 384 mm | 115 02 02 |      | 23        |               |

**Curved wither bars, welfare of the animal respected!**



**YouTube** See our videos on our channel: COSNET S.A.S.

## CURVED WITHER BAR

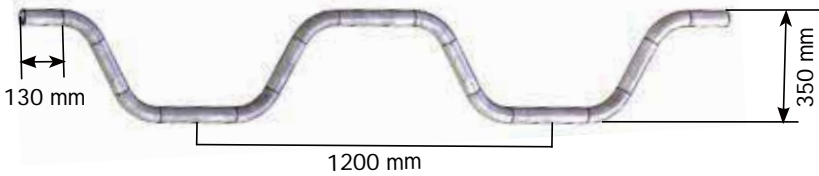
The curved wither bars enable much more possibilities of height adjustment on cubicle thanks to their curved form while they greatly favour the animal welfare.

Advantage of the curved wither bar:

- More possibilities of height adjustment.
- Better bedding of the cow in the middle of its cubicle.
- Better support of the cubicle.

Attention: do not set up the curved wither bar in a too high position with respect to cattle's neck. In this case, the risk is that the animal won't be stopped and will go too far in its movement.

Favour the use of the curved wither bar with the "supercomfort" cubicle assembled on horizontal bars or with the free-standing cubicles.



| Description  | Code      | Pack | Weight kg | Price ex. VAT |
|--|-----------|------|-----------|---------------|
| Curved wither bar 2 places – hot-dip galvanised<br>Ø 49 mm – Length 2,40 m | 115 01 06 | 9    |           |               |

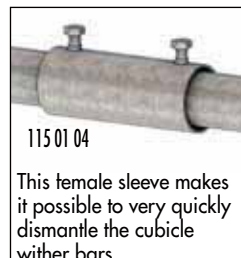
## STRAIGHT WITHER BAR



| Description  | Code      | Pack | Weight kg | Price ex. VAT |
|--|-----------|------|-----------|---------------|
| Straight wither bar, hot-dip galvanised<br>Ø 49 mm – Length 6 m - Thick. 2,9 mm. | 115 01 12 | 20   |           |               |

## ACCESSORIES FOR MOUNTING OF WITHER BARS

| Withers bars and accessories   | Code      | Pack | Weight kg | Price ex. VAT |
|--|-----------|------|-----------|---------------|
| Female sleeve Ø 60 mm L. 150 mm screw-on for Ø 49 mm wither bar                      | 115 01 04 |      | 1         |               |
| Ø 49 mm Male sleeve for wither bar   | 115 01 05 |      | 0.9       |               |
| Reinforced Ø 60 / 49 mm clamp to fit the wither bar to a Ø 60.3 mm cubicle side rail | 115 01 11 |      | 1.5       |               |
| Reinforced Ø 49 / 49 mm clamp to fit the wither bar to a Ø 48.3 mm cubicle side rail | 115 01 13 |      | 1.5       |               |
| Wall/floor plate for Ø 49 mm wither bar  | 115 03 23 |      | 0.9       |               |



# ACCESSORIES FOR MOUNTING OF CUBICLES

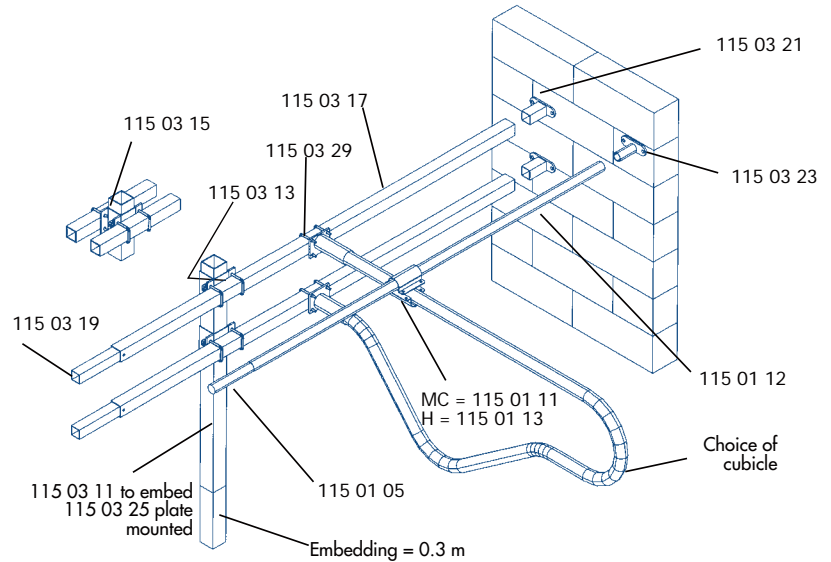
## EXAMPLE OF AN INSTALLATION ON A SINGLE ROW OF GIRDERS

FOR EUROPE, CONTINENTAL, ATLANTIC AND SUPERCONFORT CUBICLES

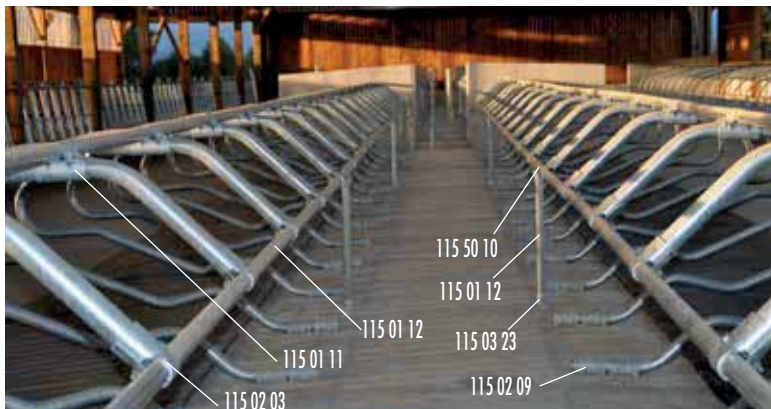
(1 girder for 2 cubicles) or double row  
(1 girder for 4 cubicles)

**+ Product :**  
Good side contention  
Height and width adjustable  
Less posts to embed  
Adjustable brisket board

| ACCESSORIES FOR MOUNTING OF CUBICLES   | Code      | Pack | Weight kg | Price ex. VAT |
|--|-----------|------|-----------|---------------|
| Wither bar Ø 49 mm L. 6m   | 115 01 12 |      | 20        |               |
| Ø 49 mm withers bar sleeve   | 115 01 05 |      | 0.9       |               |
| Post to embed 80 x 80 mm / H. 1.75 m   | 115 03 11 |      | 12.5      |               |
| Post to embed on 200 x 200 mm plate / H.1.40 m.                                      | 115 03 24 |      | 16        |               |
| Pair of single clamps for girder fastening in a single row with 4 Ø 60 mm U-bolts    | 115 03 13 |      | 4         |               |
| Pair of double clamps for girder fastening in a double row with 8 Ø 60 mm U-bolts    | 115 03 15 |      | 4.7       |               |
| Reinforced girder 60 x 60 mm L. 6 m (plan for 2 girders per row)                     | 115 03 17 |      | 30        |               |
| Reinforced girder sleeve   | 115 03 19 |      | 1.5       |               |
| Wall plate for reinforced girder   | 115 03 21 |      | 0.7       |               |
| Wall plate for Ø 49 mm withers bar   | 115 03 23 |      | 0.9       |               |
| Plate-mounted post 80 x 80 mm / H. 1.40 m  | 115 03 25 |      | 16        |               |
| Bag of 4 Ø 60 mm U-bolts Ø 12 mm zinc plated for installation on a horizontal girder | 115 03 29 |      | 1         |               |



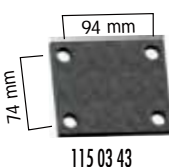
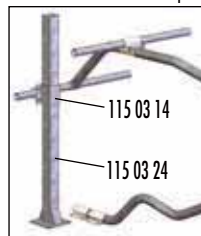
Example of an installation in a single row with economic Ø 49 mm line reinforcement.



Ø 70 mm tube Length 850 mm drilled at each end at Ø 14 mm. Designed to be counter-drilled once in position connected to 2 Ø 60.3 mm side rails



Example of an installation with a line reinforcement post



| Spare parts for Europe, Continental, Atlantic and Pacific cubicles                              | Code      | Pack | Weight kg | Price ex. VAT |
|---|-----------|------|-----------|---------------|
| Ø 60.3 mm cubicles plate receiver with fasteners  | 115 03 41 |      | 2         |               |
| Ø 48.3 mm cubicles plate receiver with fasteners  | 115 03 42 |      | 2         |               |
| Single plate for counter-bolting to the Ø 48.3 mm or Ø 60.3 mm cubicles receiver plate on posts | 115 03 43 |      | 1         |               |

| Specific accessories for the Welfare and Pacific cubicles   | Code      | Pack | Weight kg | Price ex. VAT |
|---|-----------|------|-----------|---------------|
| Pair of 60/49 mm 1/2 shells to connect Welfare and Pacific cubicles in a single row                               | 115 02 03 |      | 2         |               |
| 1x49 / 2x60 mm fastening to connect Welfare and Pacific cubicles in a single row                                  | 115 02 05 |      | 2.1       |               |
| Pair of 60 mm half clamps to fix Welfare and Pacific cubicles to the ground                                       | 115 02 09 |      | 1.5       |               |
| Pair of 60 mm omegas - Thickness 8 mm spacing 113 mm to fix Welfare and Pacific cubicles to the ground            | 115 02 06 |      | 2         |               |
| Single clamps for 80x80 posts with 2 Ø 49 mm stirrups. To reinforce a row of Welfare and Pacific cubicles         | 115 03 14 |      | 2         |               |
| Bag of 2 1/2 shells with 49/49 mm staples for the economic reinforcement of a row of Welfare and Pacific cubicles | 115 50 10 |      | 0.9       |               |

| Specific accessories for the Europe, Continental, Atlantic and Pacific cubicles   | Code      | Pack | Weight kg | Price ex. VAT |
|---|-----------|------|-----------|---------------|
| Fastening to the ground for Europe, Continental, Atlantic and Pacific cubicles with sloping retainer support                    | 115 02 07 |      | 7.5       |               |
| Fastening to the ground for Europe, Continental, Atlantic and Pacific cubicles with straight retainer support, special for mats | 115 02 08 |      | 8         |               |
| Ø 70 mm - L. 850 mm sleeve to install double rows of Europe, Continental and Atlantic cubicles                                  | 115 03 45 |      | 5         |               |

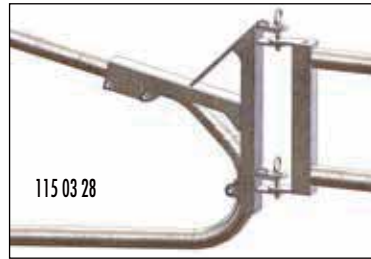
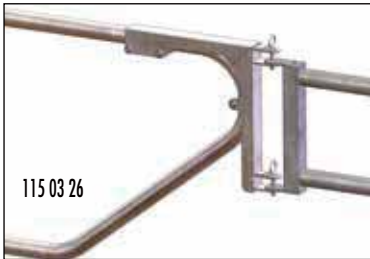
**115 02 07**

Fastening to the ground with sloping knee pad support for side rails EUROPE, CONTINENTAL, ATLANTIC and PACIFIC cubicles.  
H. 250 mm - L. 538 mm - Th. 10 mm

**115 02 08**

Ground fastening with straight knee pad support special for mats for side rails. EUROPE, CONTINENTAL, ATLANTIC and PACIFIC cubicles.  
H. 245 mm - L. 390 mm - Th. 10 mm

## BARRIER SUPPORT FOR DIVIDING CUBICLE HOUSING FOR Ø 60.3 MM 2 RAIL BARRIER



## FOR Ø 60.3 MM 4 AND 5 RAIL BARRIER

Reversible and adjustable support to adapt to all our models of cubicles



## KNEE PAD SUPPORTS



Wooden knee pad support for EUROPE cubicle, adjustable with tie and fasteners  
115 03 33



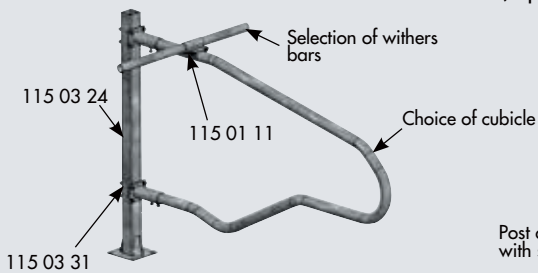
Adjustable support allowing the installation of reinforced PVC Ø 125 mm tube knee pads on Ø 60.3 mm side rails

\*For Europe, Continental and Atlantic cubicles

| Accessories description   | Code      | Pack | Weight kg | Price ex. VAT |
|---|-----------|------|-----------|---------------|
| Ø 60 mm 2 rail barrier support for Continental and Atlantic cubicles                            | 115 03 26 |      | 7         |               |
| Ø 60 mm 4 or 5 rail barrier support for dividing cubicle aisles                                 | 115 03 27 |      | 17        |               |
| Ø 60 mm 2 rail barrier support for Pacific, Welfare, Monofoot, Superconfort and Europe cubicles | 115 03 28 |      | 7         |               |
| Adjustable support for wood knee pads for Europe cubicles                                       | 115 03 33 |      | 2         |               |
| Adjustable support for reinforced PVC tube knee pads Ø125 mm*                                   | 115 03 34 |      | 3         |               |

## EXAMPLE OF AN INSTALLATION ON POSTS EUROPE, CONTINENTAL, ATLANTIC AND SUPERCONFORT

(1 post per cubicle)



Code :  
115 03 24

**New**

Post on plate 200 x 200 mm with stamped reinforcements

+ Product :  
Good side contention  
Height adjustable  
Adjustable brisket board

| Fasteners to install the cubicle on the post                                      | Code      | Pack | Weight kg | Price ex. VAT |
|---|-----------|------|-----------|---------------|
| Post to embed 80 x 80 mm / H. 1.75 m  | 115 03 11 |      | 12.5      |               |
| Plate-mounted post 80 x 80 mm / H. 1.40 m   | 115 03 25 |      | 16        |               |
| Bag of 4 U bolts ø 80 mm Ø 12 mm zinc plated for installation on posts            | 115 03 31 |      | 1         |               |
| Box of 25 nuts and bolts 14x120 to install face to face cubicles on ø 80 mm posts | 115 03 32 |      | 1         |               |



# BRISKET BOARD



New polyethylene resin, multi-purpose and length-adjustable cubicle brisket board.



115 03 36  
L. 1.20 x l 0.22 x H 0.18 m

Usually a good cubicle brisket board must not have any sharp edges such as those that can be found on wood or metal (beam, metal tube, etc.) and which can cause injuries to the cattle's knees.

It must be solid and leave no space for hooves to be pinched or for dirt to be trapped as can be the case with a round PVC tube type retainer (fragile and brittle) suspended in a cubicle.

Ideally, a brisket board fixed to the ground must be sufficiently high, between 17 and 20 cm maximum, to bring the following benefits:

- Limit constraints when the animal stands up while limiting the risk of injury to the fetlocks.
- To be effective at the bedding level to correctly include the bedding material (sawdust, straw, etc...), the mattress or the mat.

The Cosnet cubicle brisket board meets these requirements thanks to its polyethylene resin manufacture. It has been given a design that gives it several advantages:

- It does not injure the animals
- A straight side that improves the stoppage of the animal and the support of the bedding materials, mats or mattress.
- A long service life thanks to its rot proof PEHD resin which is resistant to frost, detergents and high pressure cleaning, while being excellent value for money.
- A sloping side that improves manual straw filling operations (when bedding materials are stored at the back of the cubicle).



Example: a retainer adapted in length per space



Example: retainers fitted in a continuous line



One straight side, one sloping side



easier manual straw filling



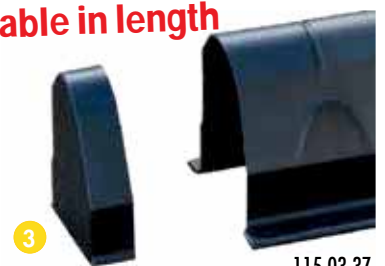
This Cosnet cubicle brisket board is adaptable in length, it makes it possible to work per space or in a continuous row depending on the cubicle models and the farmer's choice.

## Adaptable in length



These different installation options are made possible by the specific shapes built into the retainer:

- 1 One solid end with a notch to receive the next retainer without creating excess thickness.
- 2 One hollowed out end allowing it to be superposed on the end with a notch for the next retainer.
- 3 A finishing cap that is used to close the end of a row of brisket boards or to close a retainer that has been installed separately (when one brisket board is installed per space).



3

115 03 37

Finishing cap delivered with special PE fasteners



Example: brisket boards installed with mats



### Installation advice:

| Cow size   | LARGE      | MEDIUM     | SMALL      |
|--|------------|------------|------------|
| • Diagonal length                                  | 178 cm     | 173 cm     | 158 cm     |
| • Wither height                                    | 147 cm     | 141 cm     | 136 cm     |
| Retainer on the ground or forward movement limiter | 180/185 cm | 175/180 cm | 160/165 cm |

This data is taken from the book: "DESIGNING AND INSTALLING CUBICLES" published by the "Institut de l'élevage GIE Lait et Viande de Bretagne."

## No animal injuries!

| Cubicle brisket board       |           |      |           |                 |
|-----------------------------|-----------|------|-----------|-----------------|
| Description                 | Code      | Pack | Weight kg | Price € ex. VAT |
| Cosnet brisket board        | 115 03 36 | 3    |           |                 |
| Brisket board finishing cap | 115 03 37 | 1    |           |                 |









# GENERAL SALES TERMS AND CONDITIONS



## EXPORT DEPARTMENT

### Managing Director

Mr. Jérôme Cosnet

### Export Director

Mr. Florian Tiffeneau

### Export Area Sales Manager

Mr. Antoine Henimann

### Germany – Switzerland – Austria – Benelux Countries

### Sales Administration

Mrs. Delphine Delaunay

Mrs. Gaëlle Girardot

Tel 0033 2 43 88 95 78 / Fax 0033 2 43 88 97 31

jcosnet@cosnet.fr

0033 689 381 176

tiffeneau@cosnet.fr

0033 685 768 256

ahenimann@cosnet.fr

00 33 2 43 88 95 78

ddelaunay@cosnet.fr

ggirardot@cosnet.fr

## Article 1 – APPLICATION –

These general sales terms and conditions govern all sales made by COSNET SAS to professionals and private individuals.

The act of making a purchase order implies the full acceptance of these terms and conditions without reserve, even if the purchase order is issued on the buyer's purchase order.

Unless formally accepted in writing by COSNET SAS, no special conditions will prevail against these general sales terms and conditions. Any contrary terms claimed by the buyer will therefore not be applicable to COSNET SAS, whatever the moment it was made known to it. The fact that COSNET SAS does not, at a given moment in time, enforce one of the terms of these general sales terms and conditions cannot be construed as being a renoucement to the future application of any of the said terms and conditions.

If any of the terms in these terms and conditions were to be found null and void for any reason, only the term or terms in question will be considered null and void.

## Article 2 – PURCHASE ORDERS –

Purchase orders sent directly by clients by post, telephone, fax or which are sent by travelling salesmen are only binding on COSNET SAS once they have been accepted, either by confirmation (written, telex, fax), or by the shipment of the goods.

The benefit of the purchase order is personal to the buyer and cannot be transferred without the agreement of COSNET SAS.

## Article 3 – SPECIAL NON STANDARD PURCHASE ORDERS –

The equipment corresponds to the standard equipment sold by catalogue.

Any modification or alteration made at the request of the buyer will be under their own liability and COSNET SAS cannot be held liable.

## Article 4 – MODIFICATION –

Any changes by the buyer to the initial purchase order can only be taken into account if it arrives in writing before the equipment is shipped out. They must also be accepted by COSNET SAS.

Any cancellation of an order by the buyer can only be taken into account if it arrives within a maximum period of 10 days from the date the original order was shipped, except for the manufactured nets and fabrics from our LE GEE Protection line for which no order cancellations will be accepted 24 hours after they have been received.

## Article 5 – DELIVERY: LEAD TIMES –

Delivery lead times are given as accurately as possible but are dependent on the suppliers' supply possibilities, transport and availability.

Missed delivery dates do not entitle to compensation, deductions or cancellation of ongoing orders. Nevertheless if, one month after notification by registered letter with acknowledgement of receipt, the equipment has not been delivered for any reason other than force majeure, the sale may be terminated on request from one or the other party; the buyer may then obtain the return of their advance payment to the exclusion of any other indemnity or compensation. The following are considered to be cases of force majeure releasing COSNET SAS from its duty to deliver: war, fire, general or partial strikes, accidents, natural disasters, the impossibility of being supplied, the lack of raw materials, COSNET SAS will keep the buyer informed of the cases and events listed above in due course.

In all hypotheses, delivery within the deadline can only occur if the buyer has fulfilled their duties towards COSNET SAS, for whatever reason.

## Article 6 – DELIVERY: TERMS - RISKS -

Delivery is made either by the direct delivery of the equipment to the buyer, or by a notice of availability, or by delivery to a shipper or transporter on COSNET SAS premises.

The buyer undertakes to receive the delivered equipment or to collect it themselves or to have it collected from the COSNET SAS factories on the agreed availability date. On expiry of this deadline, COSNET SAS may consider that the purchase order has been cancelled and the sale unilaterally terminated by the buyer.

Goods travel at the buyer's risks and perils. Similarly, loading, bracing, unloading and conveying operations are carried out at their risks and perils, whoever is at the origin of the choice of means of transport and transporter. The only exception covers deliveries made by COSNET SAS's own trucks, in which case the transport is the responsibility of COSNET SAS.

## Article 7 – RECEIPT OF THE EQUIPMENT –

Without prejudice to the measures to be taken against the transporter, claims on visible defects or non-conformities of the delivered equipment relative to the ordered equipment must be made in writing on the delivery document which will be returned to COSNET SAS in all cases within 48 hours of the delivery when the buyer does not take possession of the equipment at the COSNET SAS factories.

It will be incumbent on the buyer to provide any proof as to the reality of the noted defects or anomalies. The buyer must allow the seller all means to see and acknowledge these defects and remedy them. The buyer will not act themselves nor require third parties to act.

## Article 8 – RETURN OF NEW EQUIPMENT –

This is exceptional and can only occur in exceptional circumstances, after written acceptance from COSNET SAS, and only for new equipment. Any equipment returned without this agreement will be kept at the disposal of the buyer and will not entitle to a credit note.

The return costs will be borne by the buyer.

Any returns accepted by COSNET SAS will lead to the issue of a credit note to the buyer minus 20% of the purchase price of the said equipment which will be kept by COSNET SAS to cover depreciation and the costs of returning the equipment to stock.

## Article 9 – ASSEMBLY –

The assembly, especially of products in kit form, is carried out by the buyer and under their own responsibility, COSNET SAS is therefore not liable for the identification, the purpose and the assembly of the products.

## Article 10 – GUARANTEE – SCOPE –

Our manufactured items have a six month guarantee against all material defects or manufacturing defects starting from the date of delivery. Work carried out under the guarantee does not extend the duration of the guarantee.

Under this guarantee, the only duty incumbent on COSNET SAS is the replacement free of charge or the repair of the element acknowledged to be defective by its services. All equipment to which the guarantee is applied must first be submitted to the COSNET SAS after-sales department, the agreement of which is essential for any replacements.

Defects and damage caused by natural wear and tear or by an external accident (incorrect assembly, defective maintenance, abnormal use, etc.) or by an alteration to the equipment decided or requested by the buyer, are excluded from the guarantee.

Similarly, the guarantee will not apply to visible defects which the buyer must claim under the terms of article 7 above.

## Article 11 – PRICE –

Prices are established ex works COULANS-SUR-GEE (72) excluding unloading, bracing, transport, delivery and assembly costs.

All taxes, duties or other services to be paid under French regulations or the regulations of an importing country or a transit country are borne by the buyer.

Basic "dealer" discounts are 18% and may vary, especially depending on the following additional discounts:

- quantity discount; product line discount; purchase order grouping discount; pre-season discount.

## Article 12 – PAYMENT –

Unless special terms and conditions are mentioned with the purchase order, payments will be made under the following terms and conditions:

- 20% advance payment with the purchase order, the balance on delivery.

In the event of late payments, COSNET SAS may suspend all other ongoing orders without prejudice to any other legal proceedings.

When payments are in instalments, the failure to pay a single instalment will cause the entire amount to become due.

The return of bills or drafts is required within 48 hours as per the French Code of Commerce.

All amounts not paid at the due date featured on the invoice will legally entitle to the payment of penalties equal to three times the general interest rate without notice, by waiver of article 1153 of the French Civil Code.

This interest will be charged from the due date until the payment date.

All invoices recovered by the "litigation department" will be increased by a fixed penalty of 15% as a non deductible penalty clause as defined by article 1229 of the French Civil Code.

Any deterioration in the buyer's credit status may justify the requirement to provide securities or a cash payment before the received purchase orders are processed.

## Article 13 – CHANGE IN LEGAL SITUATION –

If the buyer's legal situation changes, especially in the event of death, invalidity, administration, receivership, changes in the directors or the company's legal status, the mortgage of its real estate assets, the transfer, rental, use of the goodwill as security or contribution, etc. COSNET SAS may, at its sole discretion, require guarantees or a cash payment, or cancel the balance of purchase orders made by the buyer.

## Article 14 – OWNERSHIP –

Our sales are made under an ownership clause and the transfer of ownership only occurs after full payment of the price and accessory costs.

The acceptance of deliveries or delivery related documents implies the acceptance of this clause.

The payment of the price implies definitive credit to the account.

The above terms are not an obstacle, as soon as delivery is made, to the transfer of the risks of loss or damage of the goods subject to the ownership clause to the buyer, as well as any damage they may have caused. The buyer must then protect the sold goods at their own risks and perils.

If payment does not occur within the deadline agreed by the parties, COSNET SAS reserves the right to recover the delivered goods and, at its own discretion, to terminate the contract by giving notice via an extra-judiciary document or a registered letter not followed by effect, and the equipment will be returned without delay.

In the hypothesis in which the equipment is to be built into other elements or equipment:

As long as the price has not been fully paid, the buyer must keep the equipment delivered under this contract separate and not mix it with other similar equipment from other suppliers. If this is not carried out, the seller may demand the refund or recover the equipment that is still in stock. In the event of administration or receivership of the buyer's property, and in compliance with legal terms, the equipment may be claimed under the terms of the law.

The equipment remains the property of COSNET SAS until the full payment of its price, the buyer is strictly prohibited from using it to convert it or sell it before the full payment of its price. The buyer must make sure that it is possible to identify the equipment at all times.

## Article 15 – LANGUAGE - GOVERNING LAW - JURISDICTION –

Only the text of our general sales terms and conditions in French language is applicable in the event of a dispute.

This contract is governed by French law.

In the event of any disputes likely to arise between the parties covering the formation, performance or interpretation of this contract, only the Le Mans Commercial Courts will have jurisdiction.

When men and industry work on behalf of the breeder!



Cosnet, a Cosnet Industries group brand.  
200 employees on an 11 hectare industrial site,  
metallurgy, galvanisation and rotary moulding  
factories at the leading edge of technology.

### Metallurgy plant - sheet metal laser work...



### Hot dip galvanisation surface treatment plant...



With the aim of continually improving our products, we reserve the right to modify the technical features of a product without prior notice. The dimensions and volumes are provided as examples only. The weights noted in the price catalogue are given as an indication: they may vary depending on steel thickness tolerances and zinc plating during hot dip galvanisation. Pictures and diagrams are not contractually binding. © registered trademark. Hot-dip galvanisation can result in bending and over thickness. Products are sold without display accessories. We may not be held liable in the event of typographic errors. These products are packaged in the form of kits. We may not be held liable for any damage caused by incorrect assembly.

Our company takes care of the planet, which includes its printing choices. This document is printed on 60% FSC-certified recycled Maine Green Gloss paper, using 100% natural ink.



**SAS COSNET**  
72550 COULANS-SUR-GÉE  
Tel 0033 2 43 88 95 78 • Fax 0033 2 43 88 97 31  
[www.cosnet-la-gee.co.uk](http://www.cosnet-la-gee.co.uk)

