

Hybrid MKII



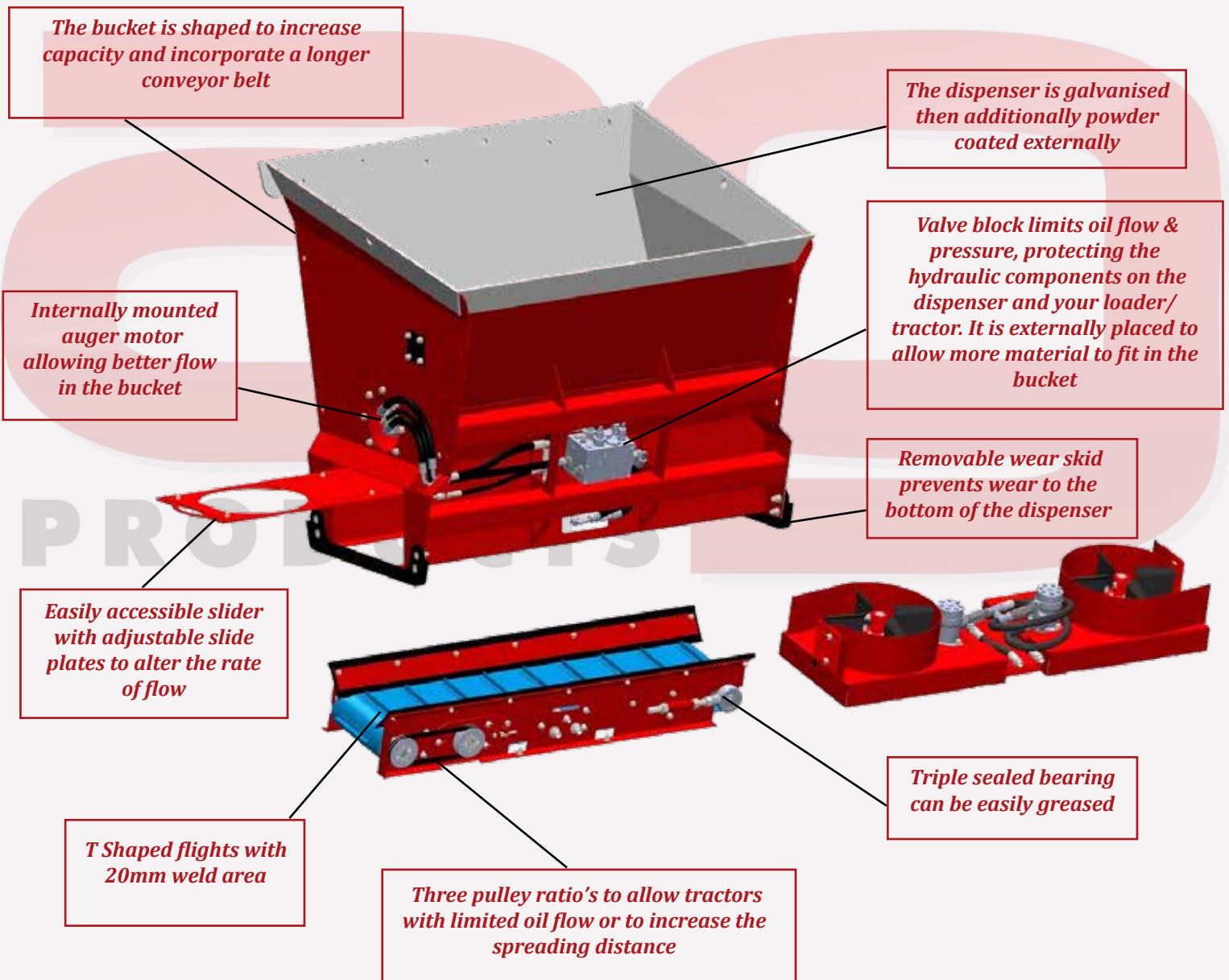
- *Labour saving with consistency uncompromised*
- *Dispenses either side for efficiency and flexibility*
- *Different sizes to accommodate all machines*
- *Able to spread most bedding materials*
- *Conveyor or spinner option*

Hybrid MKII

With greater emphasis on cow comfort it is essential to make sure cubicles are well bedded and using an AG bedding dispenser is the most efficient way.

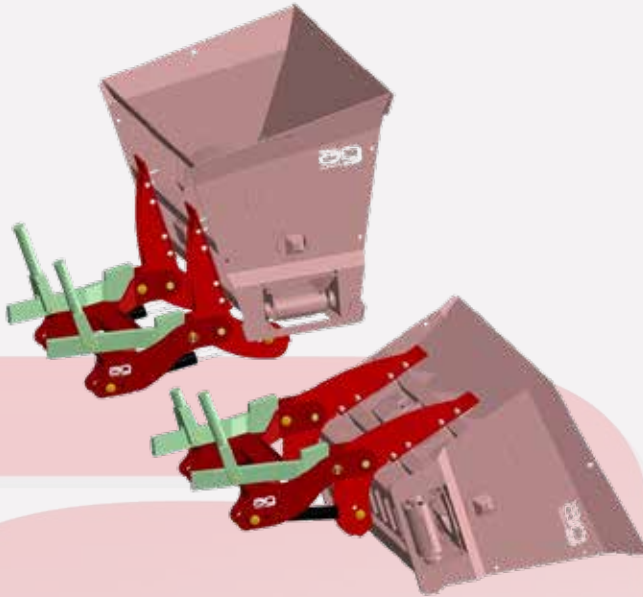
The Hybrid MKII has been developed especially with this in mind, enabling dairy farmers to bed cubicles regularly with speed and ease, minimising dust and with an economical use of materials.

The results being comfortable, clean, happy and healthy cows, helping to meet the demand of Dairy Farm Assurance Schemes.



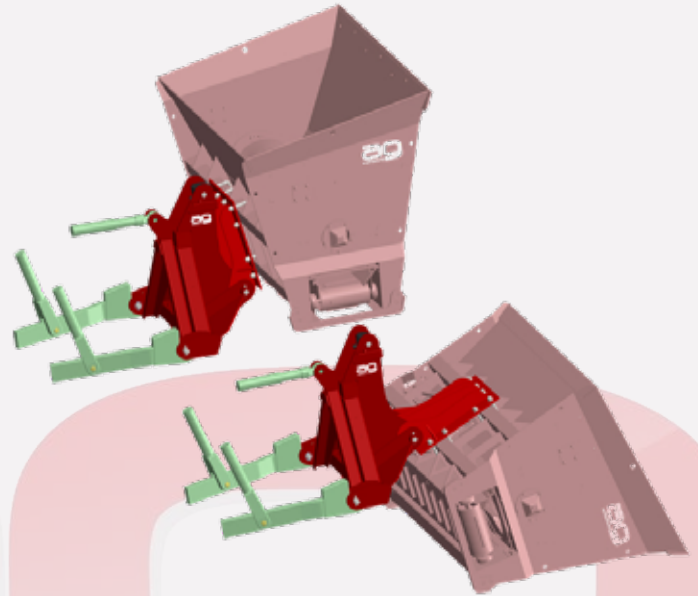
Tilting Mechanisms

2 Point Tilt



- For use with larger tractors/dispensers
(See specification sheet)
- 2 Hydraulic rams
- Sits the dispenser closer to the tractor,
increasing stability

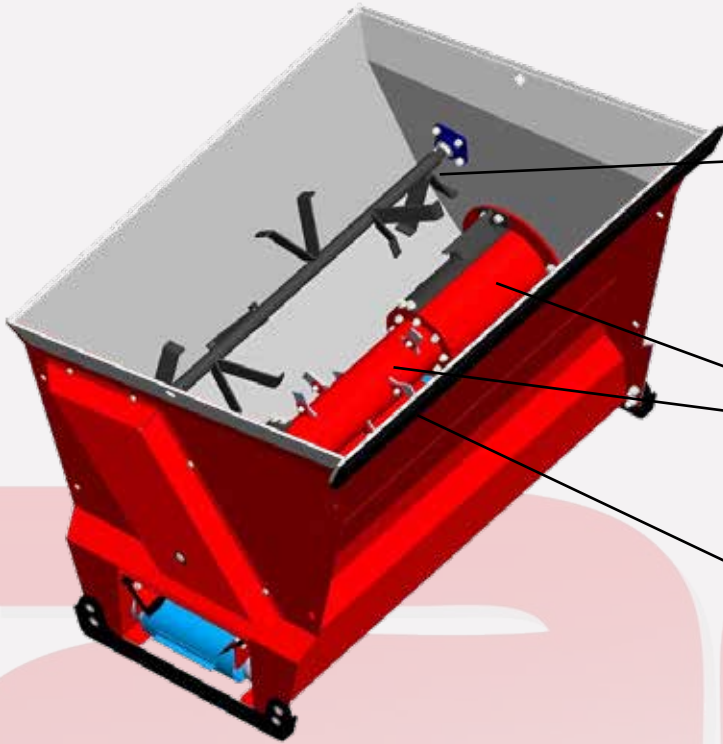
3 Point Tilt



- For use with smaller dispensers and tractors
(See specification sheet)
- 3 point linkage/A frame
- Single hydraulic ram
- Optional spool block for tractors with only 1
spool



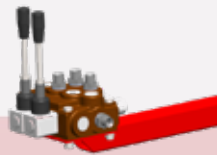
Optional Extras



Top Agitator
 Allows larger particle sized products to be used; for example chopped straw, green bedding & some recycled materials

Fingers & Paddles
 Removal of the auger shell allows the fingers & paddles to be fitted for ease of using larger materials

Bolt on Wear Blade
 Protects the edge of the bucket to increase the lifespan of the machine



Spool Block
 Spool block for use with 3 point tilt for tractors with only 1 spool valve

Brackets

Below are some of the brackets we stock. Contact us for any brackets not below.



Bobcat



Merlo



Cone & Pin



Manitou



Kramer



JCB 406



JCB Q-Fit



JCB Tool Carrier



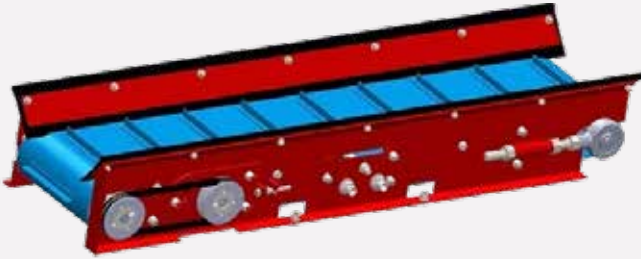
Scorpion



Euro

Dispensing Options

Conveyor



- Triple sealed bearings
- Durable T section flights
- Suitable for most types of bedding
- Maximum output 2T/min (sand)
- Higher output than spinners
- Higher volume to bricket board which means less frequent bedding intervals

Spinners



- Triple sealed bearings
- Evenly distributed spread pattern
- Enhanced sand drying times resulting in cleaner cows
- Fewer wearing parts
- Maximum output 1T/min (sand)
- Designed for use with sand



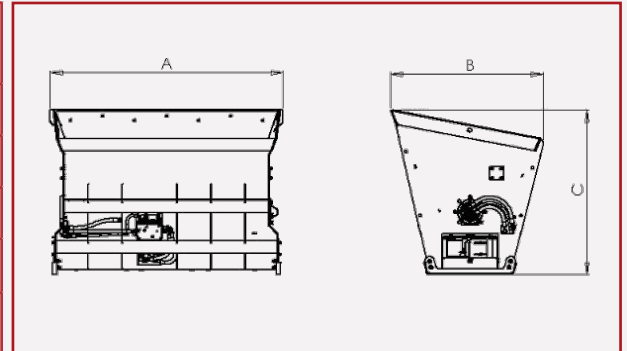
Conveyor spread pattern



Spinner spread pattern

Specifications

	AG125 Hybrid	AG150 Hybrid	AG175 Hybrid	AG200 Hybrid
Capacity (m3)	0.69	0.9	1.5	2.1
Unladen weight (kg)	454	548	718	789
Width A (m)	1.46	1.71	1.96	2.21
Depth B (m)	1.12	1.12	1.13	1.13
Height C (m)	1.23	1.23	1.23	1.23



Machine used	Light materials (sawdust etc)				Heavy Materials (sand etc)			
	AG125 Hybrid	AG150 Hybrid	AG175 Hybrid	AG200 Hybrid	AG125 Hybrid	AG150 Hybrid	AG175 Hybrid	AG200 Hybrid
Skid steer	✓	✓	✓		✓	✓		
Front end loader		✓	✓		✓	✓		
Compact loader	✓	✓	✓		✓	✓		
Telehandler			✓	✓			✓	✓
3 point tilt	✓	✓	✓		✓	✓		
2 point tilt			✓	✓			✓	✓

Also by AG...



Mini and Maxi



Easiscrape



FS200/FS200 Xtra

Contact us for more information

Tel: +44(0)1565 722922

+44(0)7715 020936

Email: machinerysales@ag-products.co.uk

Web: www.ag-products.co.uk